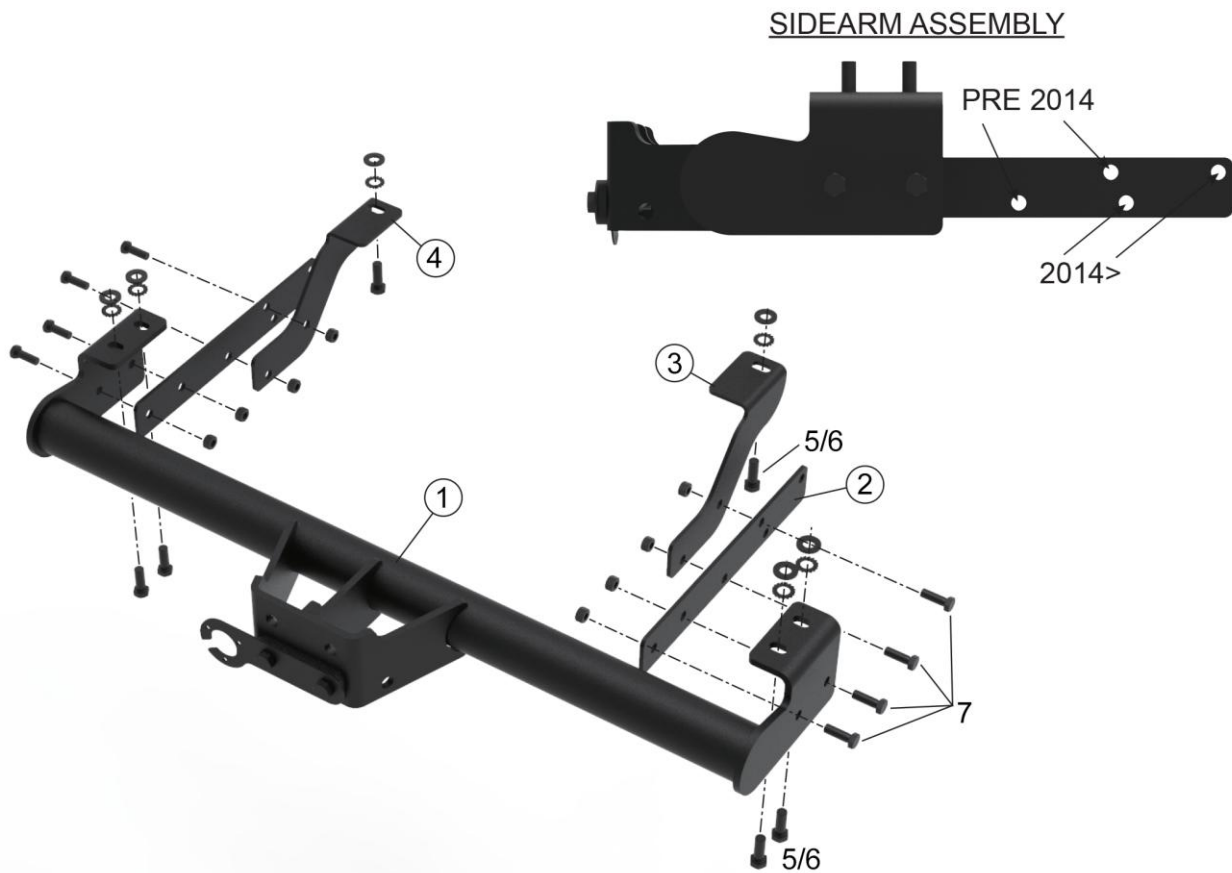


Parts List:

Part No:	Description:	Size:	Torque	Qty:
1	Crossbar			1
2	Sidearm			2
3	Left Sidearm			1
4	Right Sidearm			1
5	Bolt + Lock Washer + Large Flat Washer	M10 x 40 x 1.5mm	53Nm	6
6	Bolt + Lock Washer + Large Flat Washer	M14 x 40 x 1.5mm	150Nm	6
7	Bolt + Nyloc Nut	M14 x 35 x 1.5mm	150Nm	8
8	Bolt + Lock Washer + Nut	M16 x 60	214Nm	2
9	Electric Plate			1

Fitting:



Fitting:

1. Clean mounting points on Chassis to make sure they are free of dirt / underseal.
2. Attach, but do not secure, the crossbar (1) to vehicle using bolts (5) for **Pre 2014 vehicles**, or bolts (6) for **2014 On Vehicles**.
3. Assemble the sidearms (2), (3) & (4) as shown in the diagram, using bolts (7).
4. Attach, but do not secure, the assembled sidearms to the crossbar (1) using the remaining bolts (7).
5. Attach, but do not secure, the assembled sidearms to vehicle using the remaining bolts (5) for **Pre 2014 vehicles**, or bolts (6) for **2014 On Vehicles**.
6. After checking the alignment of the crossbar (1), tighten all bolts to the recommended torque settings (See table above).

Note: This towbar must be used with a Class A50-1 or A50-X towball, which dimensionally conforms to A50-1 with a 'D' & 'S' value greater than or equal to that of the towbar.

****Manufacturers towing limits must be observed for towing capacity****