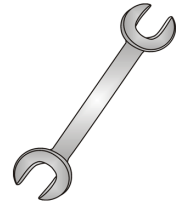




Tow-Trust Towbars

Important: Please read General Notes overleaf before fitting



Issue 3

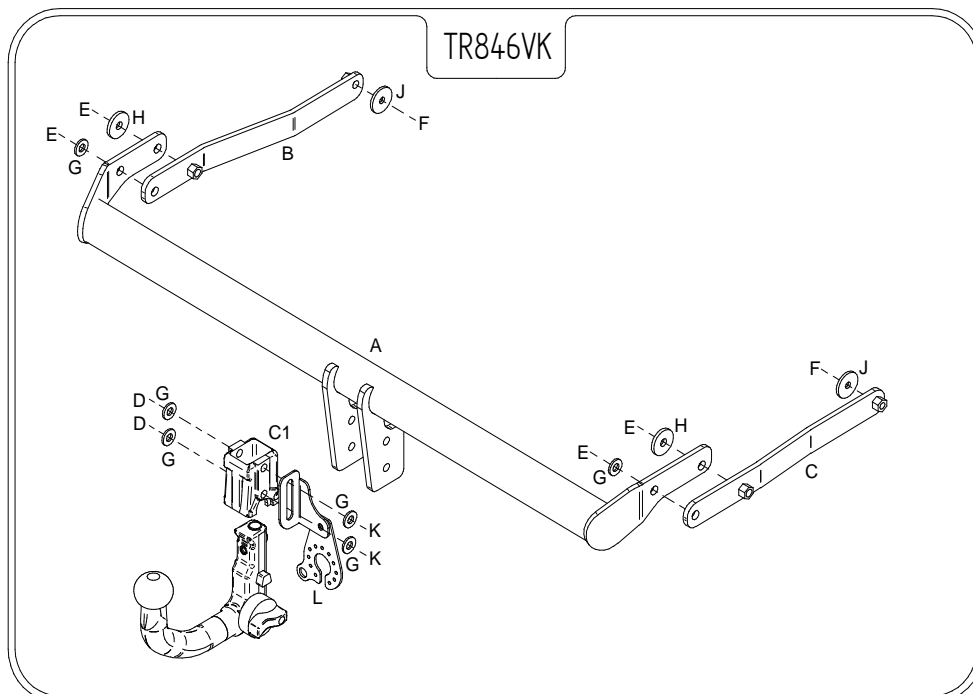
TR846VK RENAULT SCENIC 2003> GRAND SCENIC 2004-2009

Item	Qty	Description	Item	Qty	Description
A	1	Crossmember	D	2	M12 x 22 Bolts & S/P Washers
B	1	L/H Side Arm	E	4	M12 x 40 Bolts, 2 Nuts & 4 S/P Washers
C	1	R/H Side Arm	F	2	M10 x 35 Bolts & S/P Washers
C1	1	6202 Detachable Neck	G	6	12 x 25 Flat Washers
			H	2	12 x 40 Flat Washers
			J	2	10 x 40 Flat Washers
			K	2	M12 x 25 Bolts & S/P Washers
			L	1	Flip Up Socket Plate (TTFP/RH)

1. Temporarily disconnect and remove the rear light clusters (two fixings and pull clusters rearward).
2. Remove the rear bumper. Four fixings along the top edge, two fixings on rear of each wheel arch, six fixings along the underside of the bumper, two fixings in each light cluster aperture. Temporarily remove both door guides. (Pull bumper out and upwards at each tip, then pull rearwards).
3. Remove reinforcement beam (this is not refitted with the Towbar).
4. Remove the rubber chassis covers, spare wheel and jack assembly.
5. It may be necessary to bend or remove the metal cover to allow access to the inside of each chassis.
6. Using Item F with Item J loosely bolt at the forward most hole Item B inside the left hand chassis and Item C inside the right hand chassis. Note: existing holes in each chassis are covered with tape and can be found behind the layer of foam.
NOTE: 2010> VEHICLES: YOU MAY HAVE TO TRIM THE CENTRAL BLACK PLASTIC SUPPORT FOR ITEM A TO SIT CORRECTLY.
7. Using Item E with Item H (forward hole) and Item E with Item G (rear hole) loosely bolt Item A to Item B and Item C. Note: access for tightening Item E is on the left hand side, gained by lifting trim inside the boot and removing the four fixings hidden under the plastic caps, move foam and remove the plug on the outer skin of the rear wing.
8. Using Item D with Item G and Item K with Item G bolt Item C1 and Item L to Item A.
9. Fully tighten all nuts and bolts and ensure the Towbar is rigid and secure.
10. Note: it is recommended the open ends of the chassis are resealed to prevent water damage. Replace rubber caps and nuts.
11. Refit the bumper.
12. Refit all trim, accessories and light clusters.

ADDITIONAL FITTING INSTRUCTIONS FOR GRANDE SCENIC ONLY

1. Ensure the rear seats are locked in the downward position.
2. Remove the plastic covers from the boot floor. (Three locks on the central cover and four fixings on each left and right cover.)
3. When covers are removed place seat into upright position to gain access to the mounting points.
4. Access for tightening bolt E on the left hand side gained by removing the air vent and blanking plug on the outermost skin.



Note:

1. Torque Settings see notes overleaf.
2. Nose load limits and vehicle manufacturers trailer / caravan weight limits must be observed.