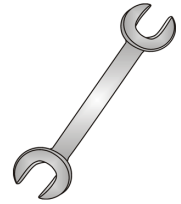




Tow-Trust Towbars

Important: Please read General Notes overleaf before fitting

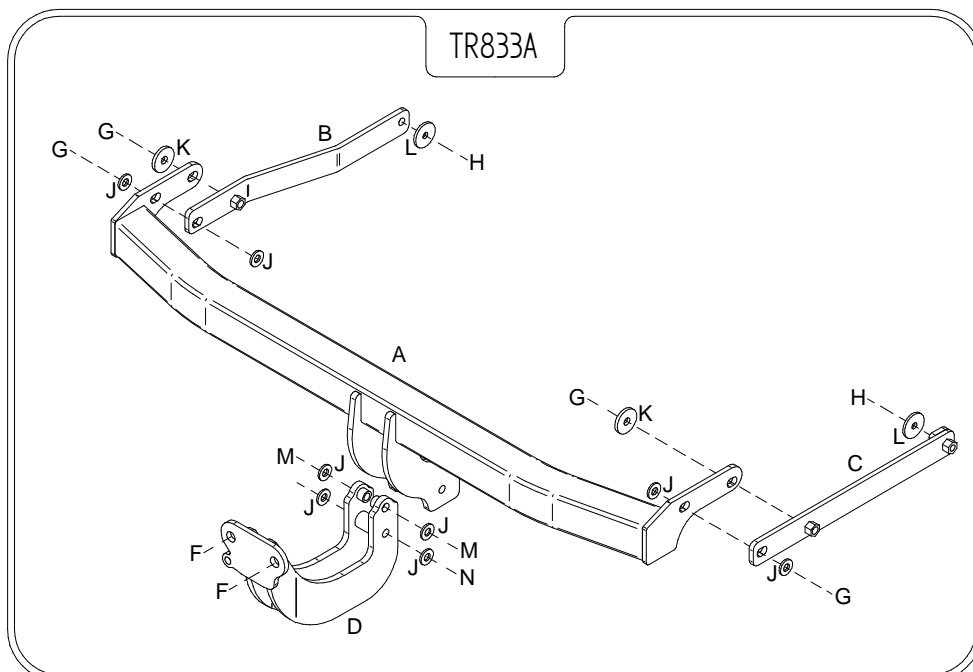


Issue 3

TR833A RENAULT MEGANE 3/5 DR HATCH 2002> MEGANE 3 HATCH 2008>

Item	Qty	Description	Item	Qty	Description
A	1	Crossmember	F	2	M16 x 50 Bolts Nuts & S/P Washers
B	1	Left Hand Side Arm	G	4	M12 x 45 Bolts, 2 Nuts & 4 S/P Washers
C	1	Right Hand Side Arm	H	2	M10 x 35 Bolts & S/P Washers
D	1	Extension Bar	J	8	12 x 25 Flat Washers
			K	2	12 x 40 Flat Washers
			L	2	10 x 40 Flat Washers
			M	2	M12 x 40 Bolts & S/P Washers
			N	1	M12 x 110 Bolt & Nyloc Nut

1. Remove both rear light clusters. Two finger screws, one at the top of each light and one underneath and a removable cap on the inside lower part of the light. Carefully pull each light cluster rearward.
2. Remove rear bumper. Three screws at the rear of each wheel arch, two screws along top edge of bumper, five screws along the underside, carefully pull out each bumper tip and gently pull bumper rearward.
3. Remove reinforcement beam. (This is not refitted with the towbar but should be refitted if towbar is removed.)
4. Remove spare wheel, jack and polystyrene.
5. Locate Item C (Straight Side Arm) into the right hand chassis and using Item H with Item L loosely bolt through existing hole. (Holes in the chassis are covered with tape).
6. Locate Item B (Bent Side Arm) into the left hand chassis member and using Item H with Item L loosely bolt through existing hole.
7. Using Item G with Item J and Item K loosely bolt Item A to Item B and Item C. On the near side you can gain access to mounting point if you remove the plastic vent and drill the dimple out for your socket to pass through.
8. Using Item M with Item J and Item N with Item J bolt Item D to Item A.
9. Fully tighten all nuts and bolts.
10. Note: it is recommended the open ends of the chassis are resealed to prevent water damage. Replace rubber caps and nuts.
11. Refit vent and bumper taking care not to damage rear face on the Towbar.
12. Using item F bolt the ball bracket and wiring plate (not supplied in this kit) to the mounting plate.
13. Replace polystyrene, jack and spare wheel.
14. Refit light clusters.



Note: Nose load limits and vehicle manufacturer's trailer / caravan weight limits must be observed.