



Tow-Trust Towbars

Important: Please read General Notes overleaf before fitting
Issue: 2



Fitting
Instruction

TLAN10 LAND ROVER DEFENDER 2020>

Item	Qty	Description	Item	Qty	Description
A	1	TLAN10 Crossmember	F	2	M16 x 50 Bolts & Nyloc Nuts
B1	1	L/H Side Arm	G	4	M14 x 70 Bolts & S/P Washers
B2	1	R/H Side Arm	H	4	M14 X 50 Bolts & S/P Washers
C1	1	L/H Upper Towing Eye Mount	J	2	M14 x 40 Bolts & S/P Washers
C2	1	R/H Upper Towing Eye Mount	K1	8	M12 x 50 Bolts (10.9) & Nyloc Nuts
D1	1	L/H Lower Towing Eye Mount	K2	4	M12 x 40 Bolts (10.9) & S/P Washers
D2	1	R/H Lower Towing Eye Mount	L	8	M14 x 45 Bolts & Flange Serrated Nuts
E	1	Extension	M	1	M12 x 130 Bolt & Nyloc Nut
			N	4	M12 x 45 (10.9) Bolts & Nyloc Nuts
			O1	6	Original M14 Bolts From Rear Impact Beam
			O2	2	Original Towing Eye Mounts From Rear Impact Beam
			P	18	14 x 27 Flat Washers
			R	18	12 x 25 Flat Washers
			S	8	12 x 40 Flat Washers
			T1	1	30mm O/D x 60mm Long Spacer Tube
			T2	6	25mm O/D x 133mm Long Spacer Tube

BUMPER REMOVAL:

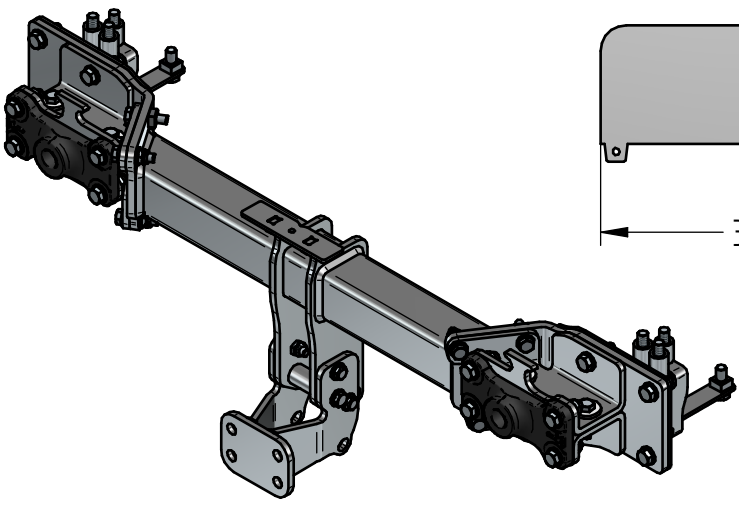
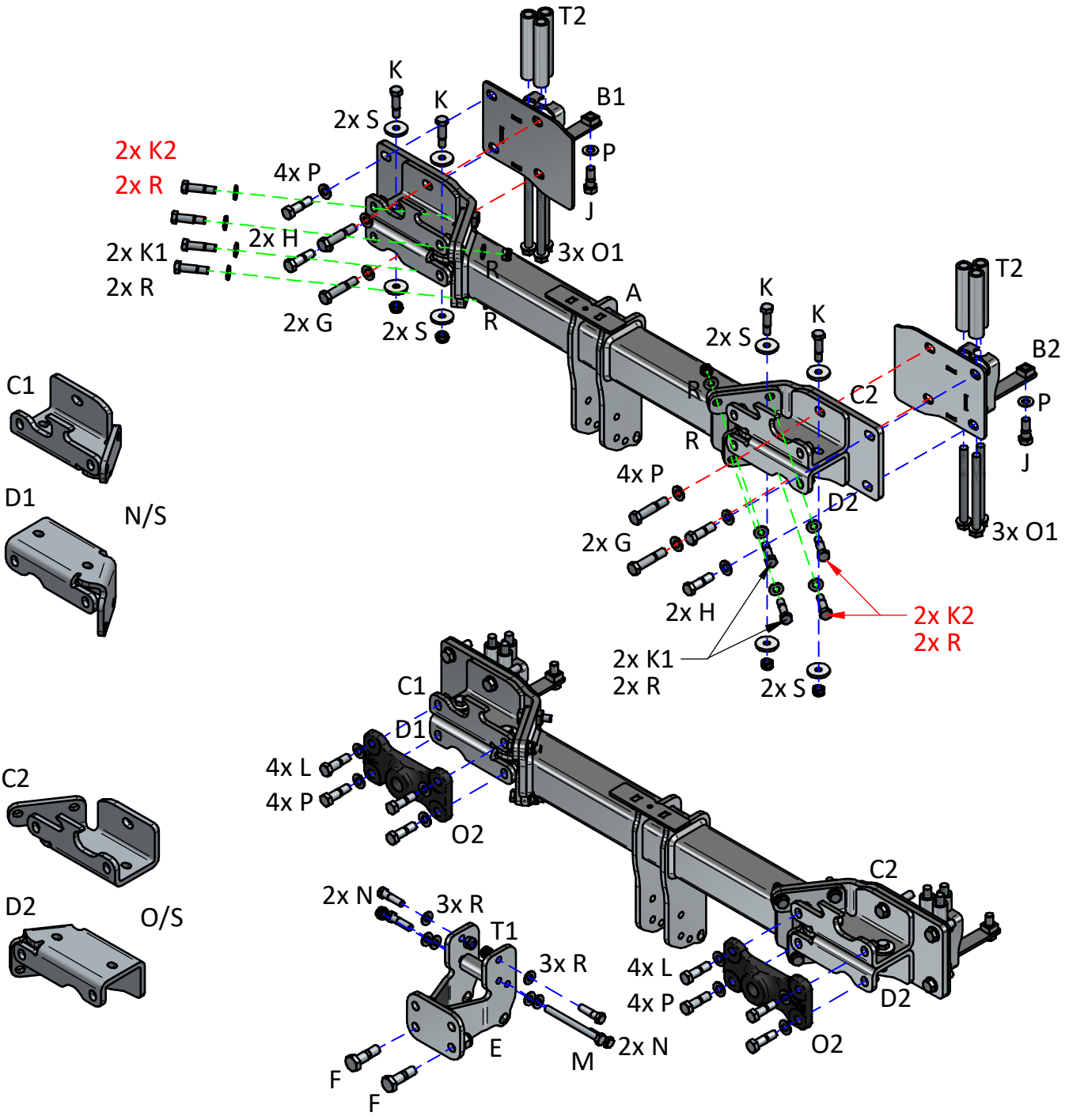
1. Remove three fixings in the wheel arch then peel back wheel arch liner to reveal two fixings then following the edge down one vertical fixing on each side.
2. Unplug the wiring loom from the left-hand side now revealed from behind the wheel arch liner.
3. Remove the fixings from the heat shield that connect to the bumper plus, the two slightly recessed vertical fixings from the lower edge.
4. Remove the Towing eye covers and use the openings as handles to aid with the removal of the bumper.
5. **Vehicles with reverse camera and wash package:** Whilst holding the bumper release the camera connection on the left-hand side. On the right-hand side separate the washer pipe. **The washer fluid will drain from the vehicle once the pipe is separated.**
6. **AdBlue Models:** Remove black exhaust heat shield to allow removal of exhaust hanger.
7. Lower and support the exhaust.
8. Remove the Upper heat shield.
9. **AdBlue Models:** Remove tank metal shield, then rearmost tank fixings and loosen the two forward fixings to their extremity, undo the pipes on the right-hand side of the tank and allow to pivot downwards and support.
10. Remove the two towing eye mounts from the impact beam and retain ready to fit back to the Towbar assembly (Items O2).
11. Remove the rear Impact beam, three fixings underneath and four in the rear panel both sides then extract from the chassis.

TOWBAR INSTALLATION:

1. Assemble the spacer tubes (Item T2) into each side arm (Item B1 & B2). Insert each side arm into the open ends of each chassis and secure in place using the original impact beam fixings (O1) at the rear three fixings and Item J and Item P at the forwardmost fixing.
2. Fix Item A to the rear panel using Items H and Items P on the outer two fixings only.
3. Using Items G and Items P fix Items C1 and D1 to the N/S Rear panel mounting points and Items C2 and D2 to the O/S Rear panel mounting points.
4. Using Item K1 and Items R at the rearmost and Item K2 and Items R at the forwardmost fix Items C1 and D1 to the N/S end plate and Items C2 and D2 to the O/S end plate.
5. Using Items K and Items S fix Items C1 and D1 together and Items C2 and D2 together.
6. Fully tighten all fixings ensuring the Towbar is rigid, square and secure.
7. Using Items L and Items P secure the original Towing Eye Mounts (O2) to the Towbar assembly and fully tighten.
8. Using Item M and Item N with Item R fix Item E to Item A ensuring Item T1 is fitted between the lower rearmost mounting point.
9. Using Item F fix your desired ball bracket and wiring plate (Not supplied in this kit) to Item E.
10. Fully tighten all remaining fixings.
11. Cut the rear bumper as shown on page 2. Alternatively, you can purchase the pre-cut panel from JLR.
12. Refit the AdBlue tank, heat shields, exhaust, and rear bumper.

Notes:

1. For Torque settings see general notes overleaf.
2. Nose load limits and vehicle manufacturer's trailer / caravan weight limits must be observed.



BUMPER CUT BELOW

