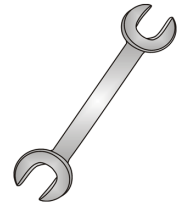




Tow-Trust Towbars

Important: Please read General Notes overleaf before fitting

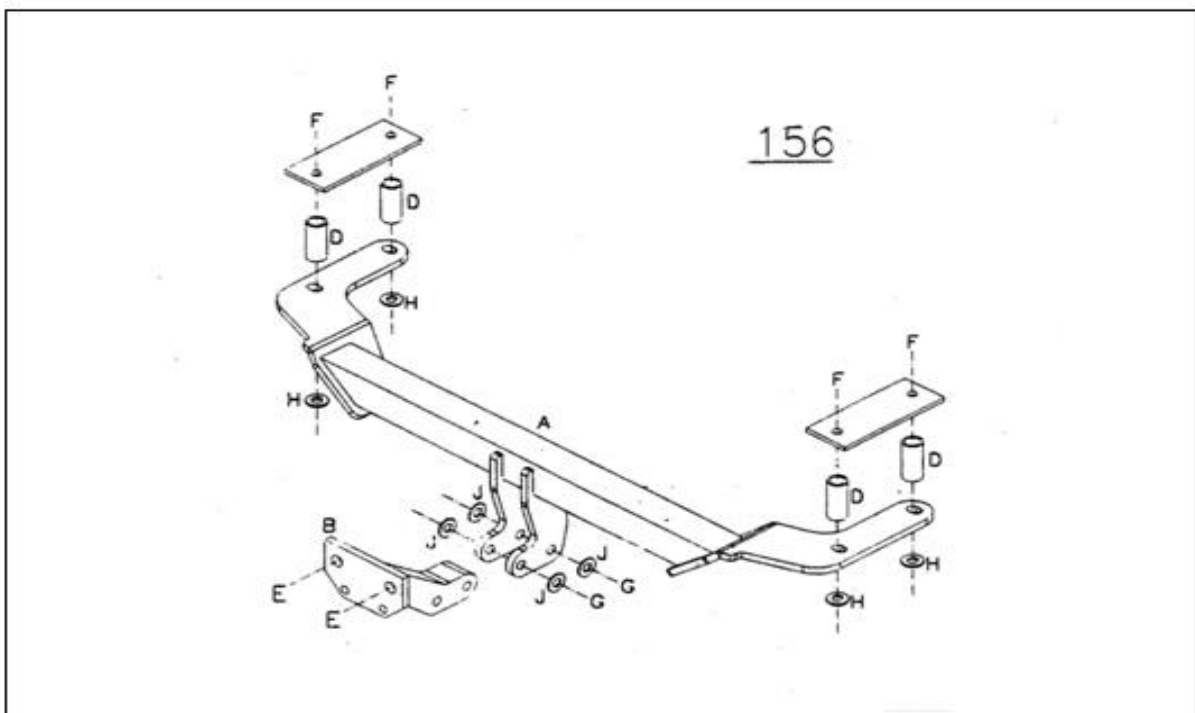


Issue 5

TF156 Ford Fiesta 1995 – 2002 & Van 1997 - 2002

Item	Qty	Description	Item	Qty	Description
A	1	Crossmember	E	2	M16 x 50 Bolts Nuts & S/P Washers
B	1	Extension Bar	F	4	M10 x 90 Bolts, Nuts & S/P Washers
C	2	Clamp Plates	G	2	M12 x 85 Grade 10.9 Bolts & Nyloc Nuts
D	4	25 x 57 Spacer Tubes	H	4	10 x 25 Flat Washers
			J	4	12 x 25 Flat Washers

1. Lower the spare wheel. Remove the rearmost rubber exhaust hanger. Remove the heat shield if fitted. Remove boot floor covering.
2. Locate the two existing holes in the underside of each chassis member. Using a rod knock the blanks up into the boot.
3. Place item **D** down through the large holes inside the vehicle. Locate item **C** over the spacer tubes and mark around and remove the mastic.
4. Using item **F** with item **H** bolt item **A** to the underside of the chassis.
5. Using item **G** with item **J** bolt item **B** to item **A**.
6. Using item **E** bolt the ball bracket and wiring plate (not supplied in this kit) to the mounting plate.
7. Fully tighten all nuts and bolts and ensure the towbar is rigid and secure.
8. Replace the heat shield (if fitted) exhaust rubber and spare wheel.



Note:

1. Recommended Torque Setting for M12 Grade 10.9 -139 Nm. (For other Torque Settings see notes overleaf.)
2. Nose load limits and vehicle manufacturers trailer / caravan weight limits must be observed.