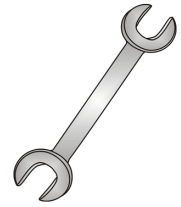




Tow-Trust Towbars

Important: Please read General Notes overleaf before fitting

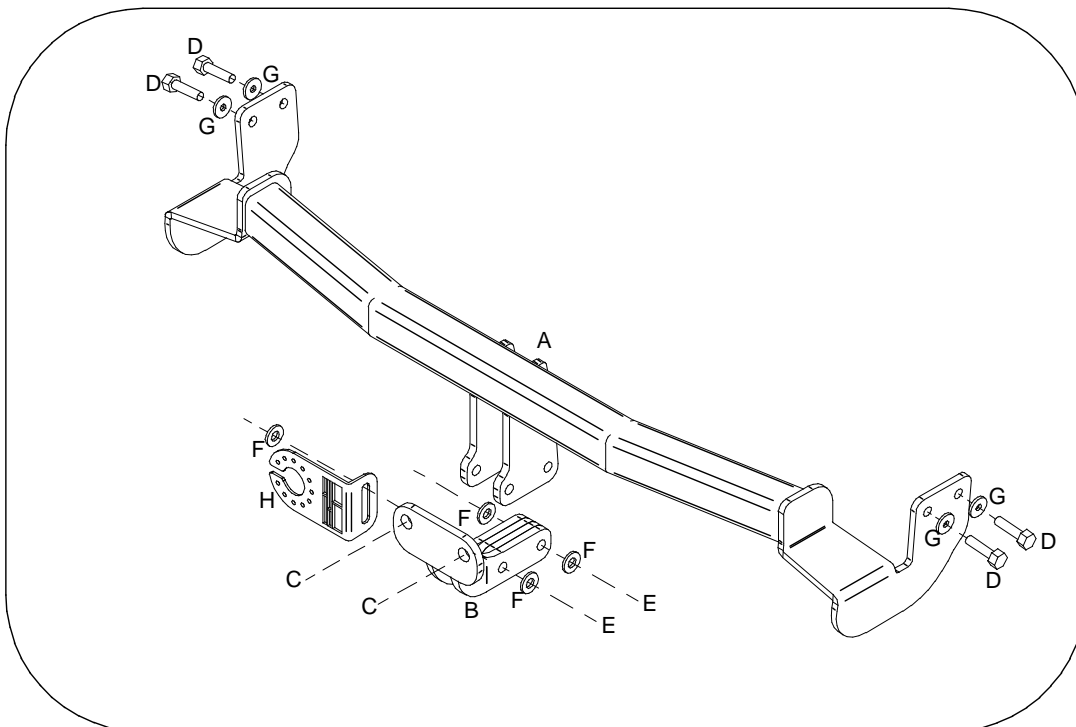


Issue 2

TC642 Citroen C2 2003>

Item	Qty	Description	Item	Qty	Description
A	1	Towbar	C	2	M16 x 40 Bolts, Nuts & S/P Washers
B	1	Extension Bar	D	4	M10 x 35 Bolts & S/P Washers
			E	2	M12 x 85 Grade 10.9 Bolts & Nyloc Nuts
			F	4	12 x 25 Flat Washers
			G	4	10 x 25 Flat Washers
			H	1	Socket Plate

1. Locate and remove the tape on the outer face of each chassis member, this will reveal the towbar mounting points.
2. Remove the two fixings securing the lower edge of the bumper.
3. Remove the two fixings securing the rearmost exhaust rubber mounting. Pull exhaust mounting off the two studs.
4. Carefully manoeuvre the towbar over the exhaust
5. Using item **D** with item **G** bolt Item **A** to the existing threaded holes in the outer face of each chassis member.
6. Using item **E** with item **F** bolt Item **B** to Item **A**.
7. Using item **C** bolt the ball bracket and wiring plate (not supplied in this kit) to the mounting plate.
8. Fully tighten all nuts and bolts and ensure the towbar is rigid and secure.
9. Refit exhaust mounting.
10. Refit lower edge of bumper.



Note:

1. Recommended Torque Setting for M12 Grade 10.9 -139 Nm. (For other Torque Settings see notes overleaf.)
2. Nose load limits and vehicle manufacturers' trailer / caravan weight limits must be observed.