



Fitting Instructions

TOWBAR **RN91AU**
For **RENAULT LAGUNA (2007-)** For **RN91AQ**
Use **ZF & ZQ 2030 series Necks** **RN91A**
For **LAGUNA COUPE (2009-)**
Use only **ZQ2030**

MATERIALS

A	1	Crossbar
B	4	Chassis Rail Bush (19 mm OD & 63 mm Long)
D	2	Side arms
E	4	M10 x 100 mm Bolts x 1.5 mm Pitch, Flat Washers (40 mm OD) and Nyloc Nuts.
F	4	M10 x 40 mm Bolts x 1.5 mm Pitch, Flat Washers QTY 4 (25mm OD) and Nyloc Nuts
H	1	Safety Chain Bracket (ZEQ2)
J	1	Electrical Plate (ZEP3)

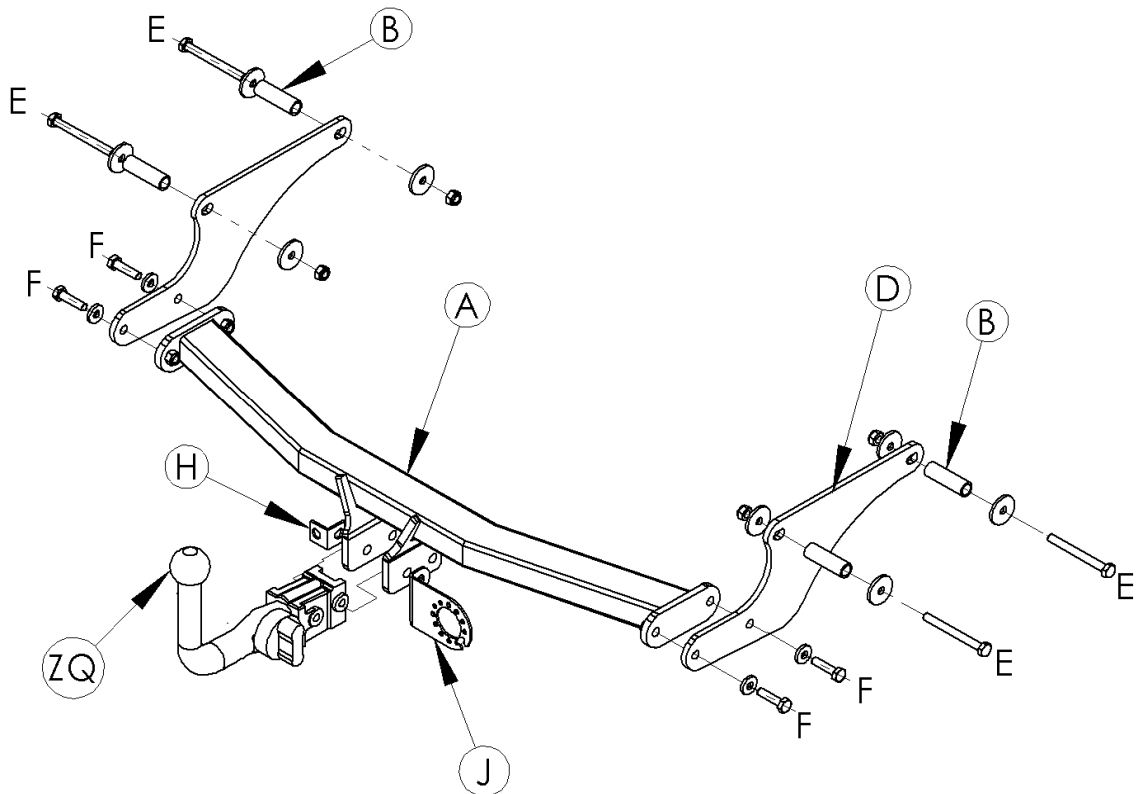
FITTING

No need to remove bumper

1. Remove Plastic under tray, by removing 4 clips and 4 screws attached to the bumper skirt.
2. Remove the plastic bungs protecting the chassis rails, 4 each side. On the left side, insert Bolt (E) with 40mm washer into Bush (B) and locate into chassis rail. Carry out same process on the remaining 3 holes.
3. Attach side arm (D) to chassis rail, and loosely secure with bolts (E) on both sides with washer sand nyloc nuts
4. Attach Cross Bar (A), using Bolts (F) with Flat washers (25 mm) on the outside of parts (D).
5. On under tray cut as per diagram, and refit using existing fixings.
6. Attach chosen Neck . **Note:** When tightening the neck, ensure it is positioned in its upper and rearmost position to ensure maximum clearance and height. Also fit safety chain bracket (H)
7. **Tighten all Bolts.**

Please refer to the vehicle specification for the trailer weight and nose limits, which **must be observed.**

Recommended torque settings: M8 - 27Nm, M10 - 53 Nm, M12 - 95 Nm, M14 - 150 Nm, M16 - 214 Nm



W0001RN91AU-FIT\$010802220000



Fitting Instructions

TOWBAR RN91AU
For RENAULT LAGUNA (2007-)
Use ZF & ZQ 2030 series Necks RN91AQ
RN91A

For LAGUNA COUPE (2009-)
Use only ZQ2030

