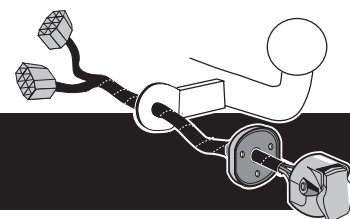




<b>Citroën</b>	<b>C4</b>	<i>Hatchback &amp; Coupé</i>	11/2004→	→11/2010
<b>Citroën</b>	<b>C4</b>	<i>Picasso</i>	10/2006→	→03/2011 DAM 12530
<b>Citroën</b>	<b>C4</b>	<i>Grand Picasso</i>	10/2006→	→03/2011 DAM 12530
<b>Citroën</b>	<b>C5 II</b>	<i>Hatchback &amp; Break</i>	10/2004→	→08/2008 DAM 10174
<b>Citroën</b>	<b>C5 III</b>	<i>Sedan &amp; Tourer</i>	03/2008→	→DAM 11922
<b>Citroën</b>	<b>C6</b>		2006→	
<b>Citroën</b>	<b>C8</b>	<i>Full Can</i>	11/2005→	
<b>Citroën</b>	<b>Berlingo</b>		04/2008→	
<b>Citroën</b>	<b>Jumpy</b>		01/2007→	
<b>Peugeot</b>	<b>307</b>	<i>Hatchback &amp; SW</i>	2005→	
<b>Peugeot</b>	<b>308</b>	<i>Hatchback &amp; SW</i>		→DAM 11680
<b>Peugeot</b>	<b>3008</b>			→DAM 12075
<b>Peugeot</b>	<b>407</b>	<i>Sedan &amp; SW</i>	2004→	→08/2008
<b>Peugeot</b>	<b>407</b>	<i>Coupé</i>	2006→	
<b>Peugeot</b>	<b>807</b>	<i>Full Can</i>	11/2005→	
<b>Peugeot</b>	<b>5008</b>		2009→	→10/2010
<b>Peugeot</b>	<b>Expert</b>		01/2007→	
<b>Peugeot</b>	<b>Partner</b>		04/2008→	
<b>Fiat</b>	<b>Scudo</b>		01/2007→	
<b>Fiat</b>	<b>Ulysse</b>		01/2007→	
<b>Lancia</b>	<b>Phedra</b>		01/2007→	
<b>Toyota</b>	<b>Pro Ace</b>		2013→	



#### Partnr.: PE-059-D1U

- Fitting instructions electric wiring kit tow bar with 13-P socket up to DIN/ISO Norm 11446.
- We would expressly point out that assembly not carried out properly by a competent installer will result in cancellation of any right to damage compensation, in particular those arising by virtue of the product liability act.
- Contents of these kits and their fitting manuals are subject to alteration without notice, please ensure that these instructions are read and fully understood before commencing installation.
- Do not overload circuits; the maximum loads per connection are detailed in this manual.
- Attention! Before Installation, please read this manual carefully and inform your customer to consult the vehicle owners manual to check for any vehicle modifications required before towing.
- In the event of functional problems, troubleshooting must be limited to about 0.5 hours, contact the installers support: [customercare@ecs-electronics.com](mailto:customercare@ecs-electronics.com) / 00800 22 55 23 27.



**00800  
22 55 23 27  
CALL2ECS**

Monday - Friday  
08.00am - 11.00am  
12.00am - 05.00pm GMT  
[customercare@ecs-electronics.com](mailto:customercare@ecs-electronics.com)  
[www.ecs-electronicsuk.co.uk](http://www.ecs-electronicsuk.co.uk)

# need help?

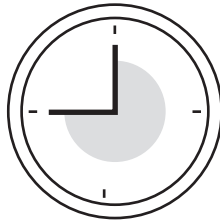


**00800 - 2255 2 327**  
Monday - Friday  
08.00am - 11.00am  
12.00am - 05.00pm GMT **CALL 2 ECS**

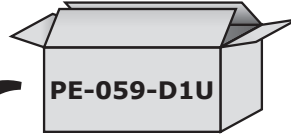
[www.ecs-electronicsuk.co.uk](http://www.ecs-electronicsuk.co.uk)



# INDEX



30 - 45 min.



1

2

3

2

4

2

5

2

6

2

7 OPTION

2

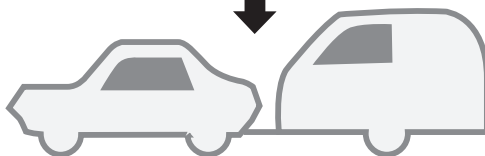
8

**INFO FUSE**

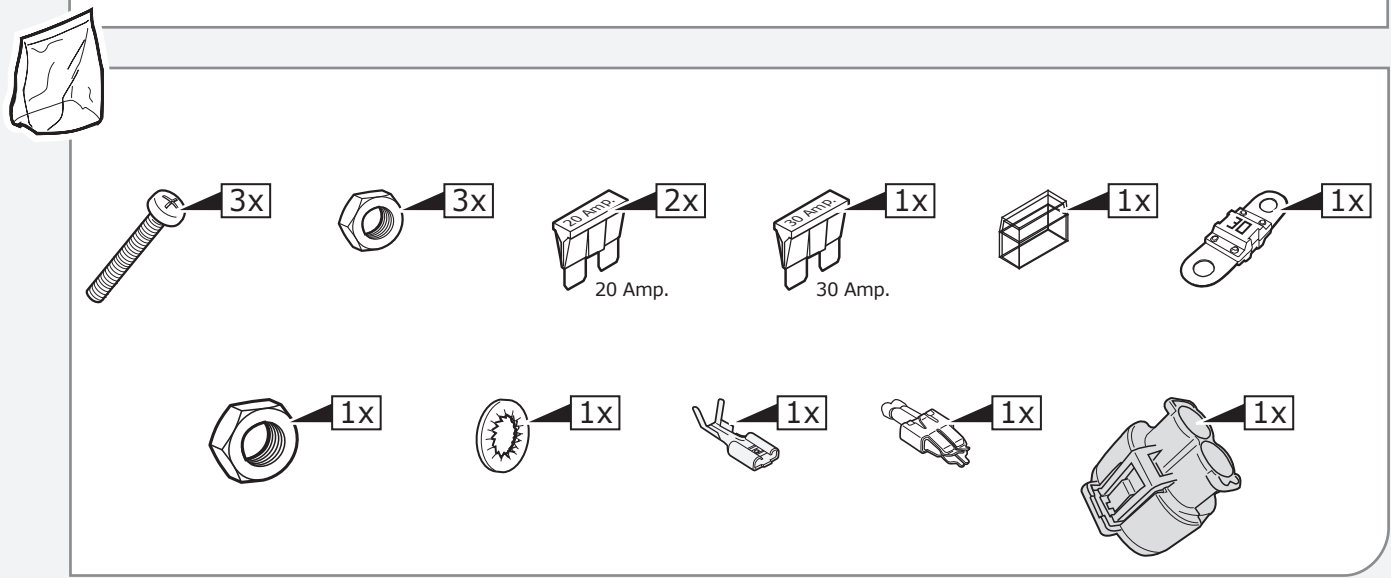
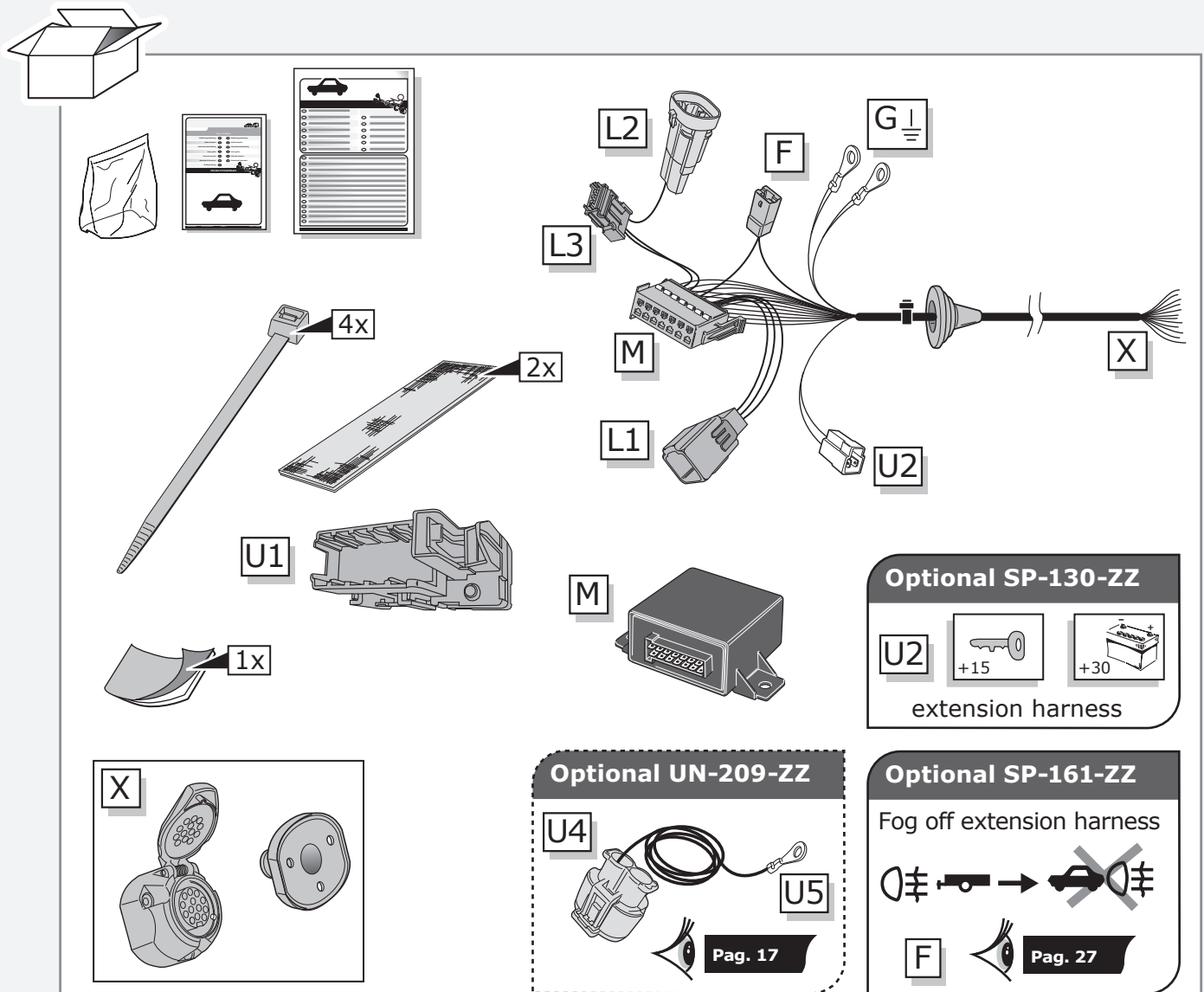
**TEST**

7 OPTION

- 
- 3
- 4
- 5
- 6
- 7 OPTION
- 8

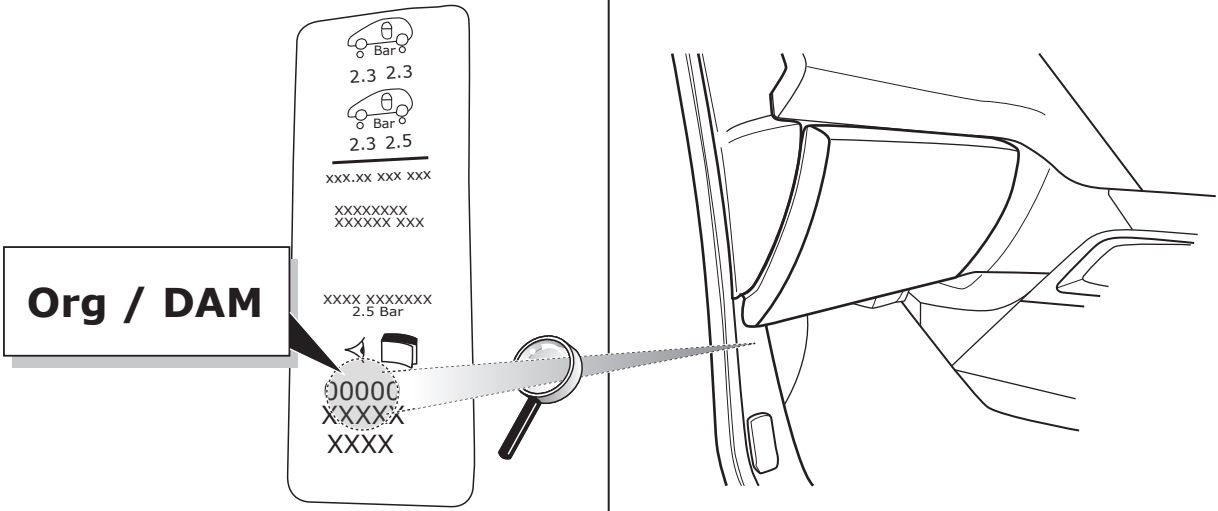


# Part list

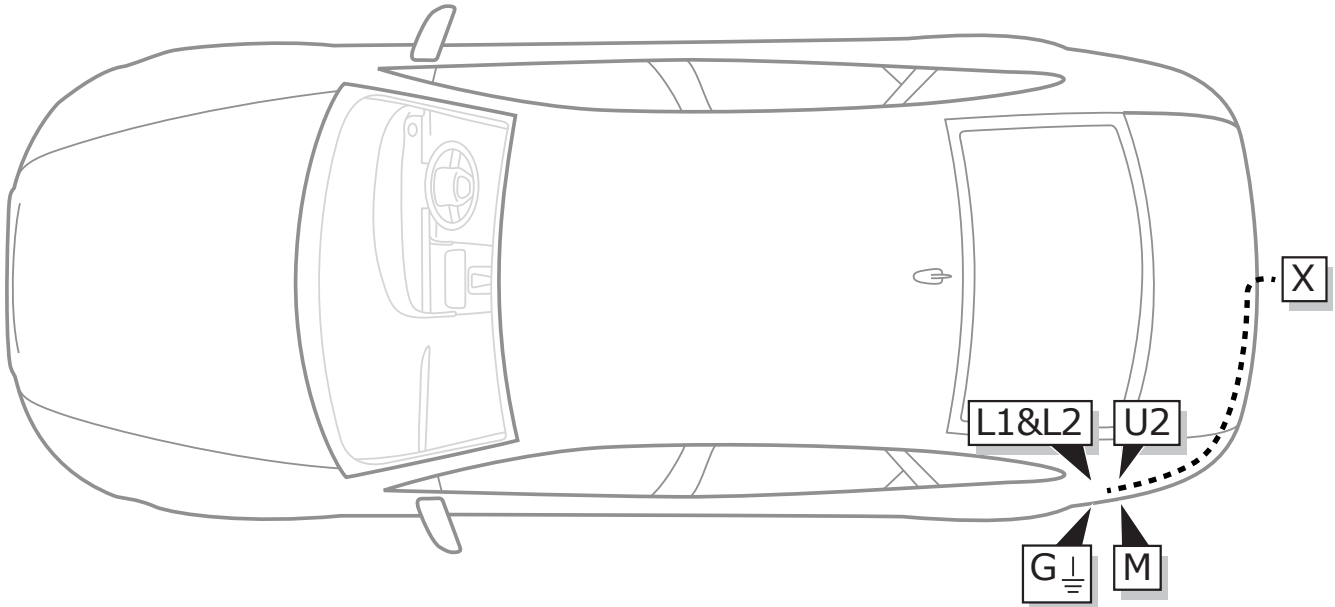


# 1

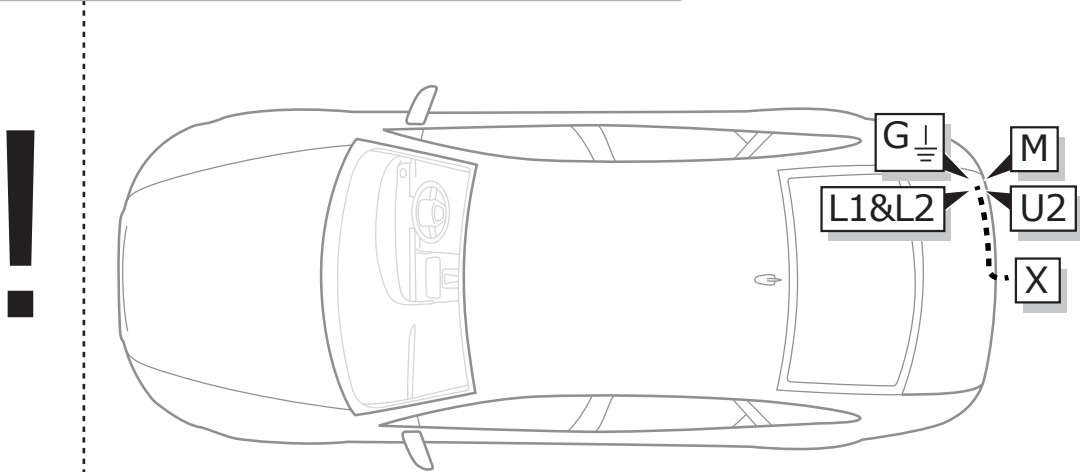
## INFO



## ROUTING

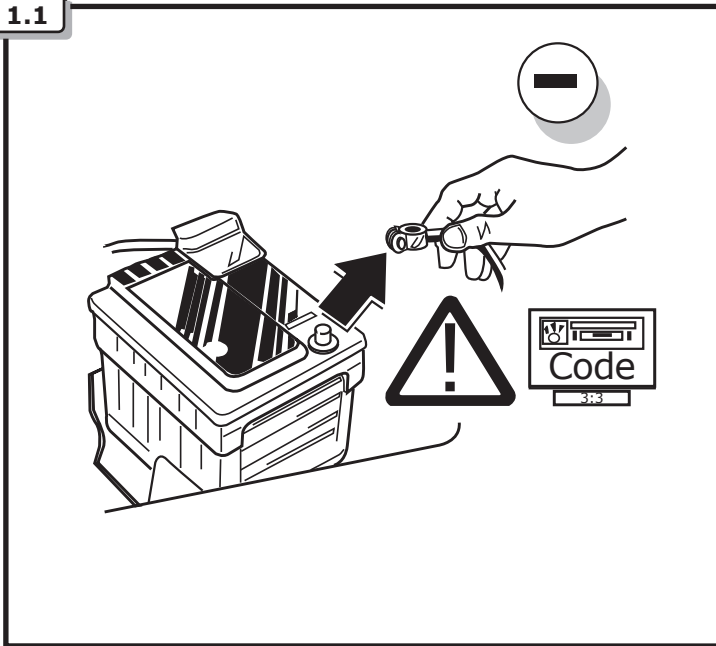


### Peugeot 307 Hatchback & Citroën C4 HB & Coupé

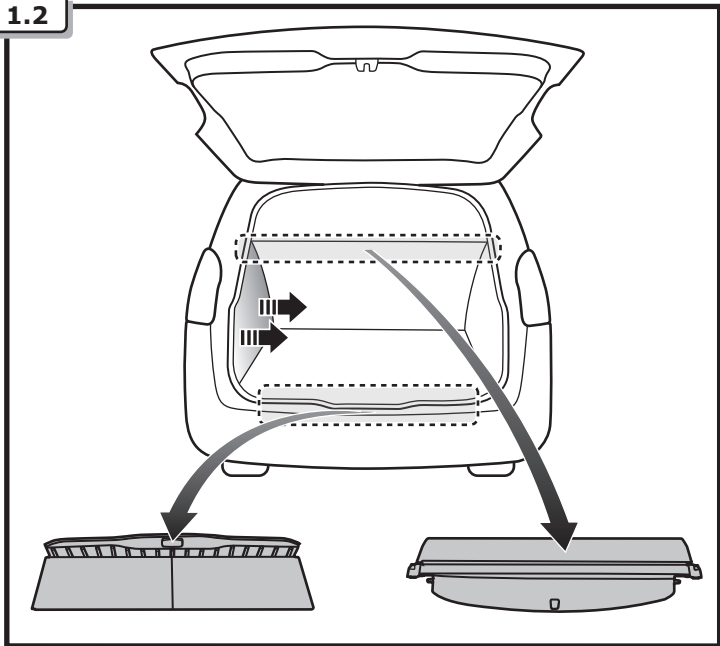


# 1

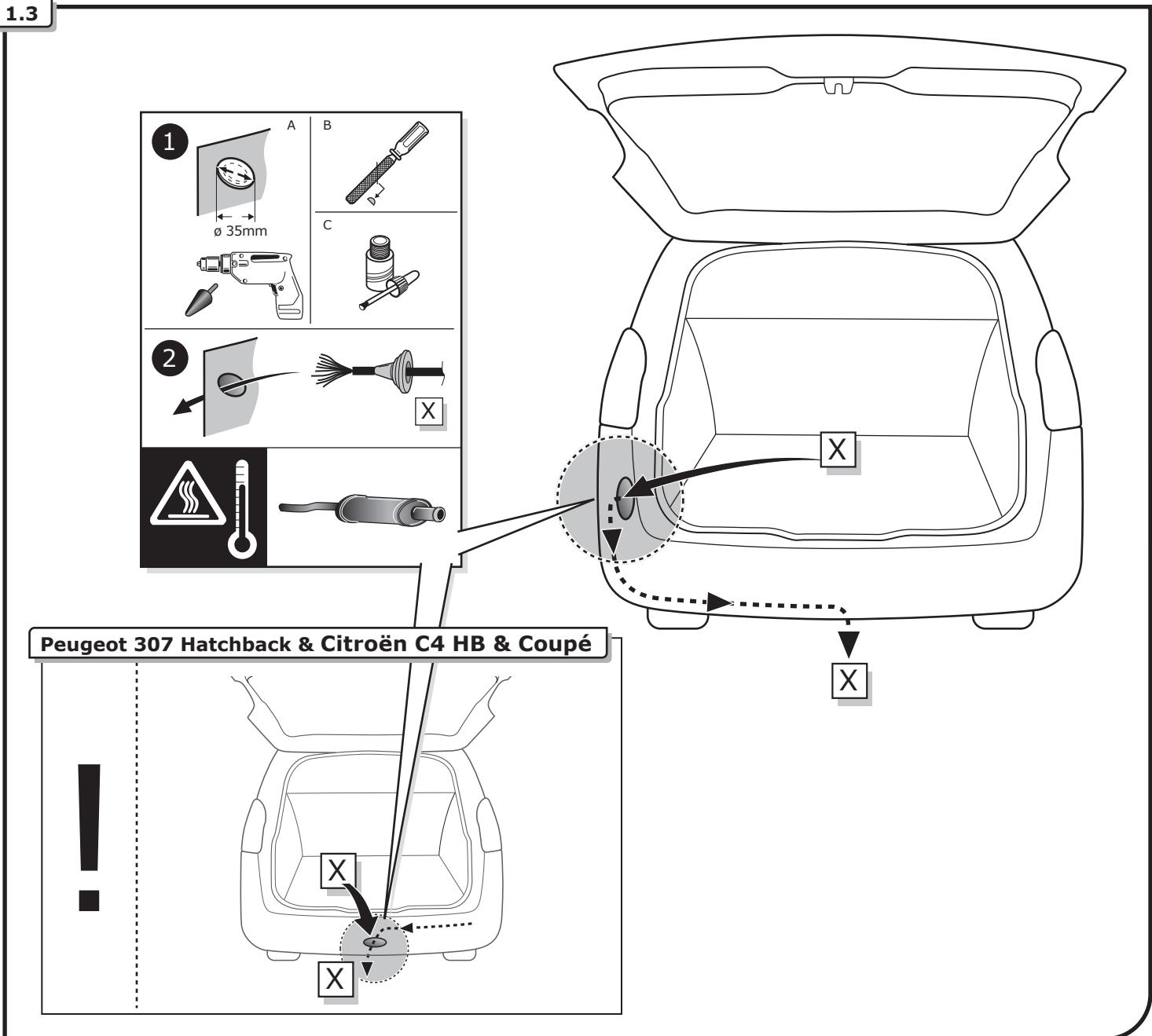
1.1



1.2

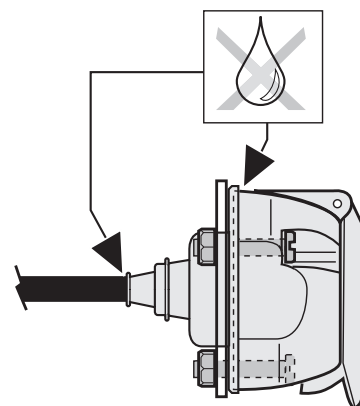
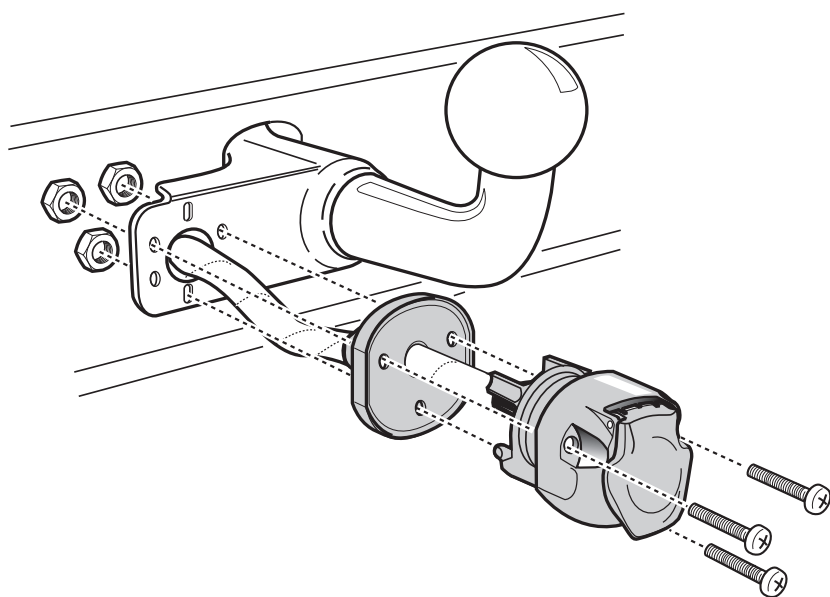
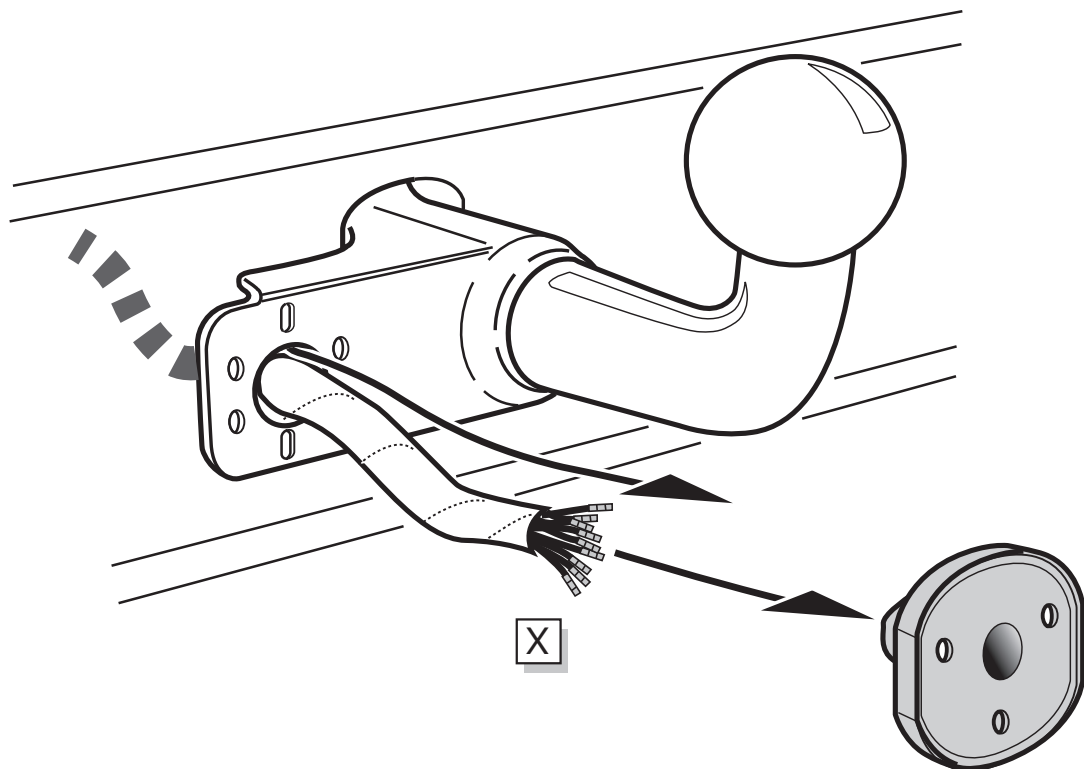


1.3



# 1

1.4



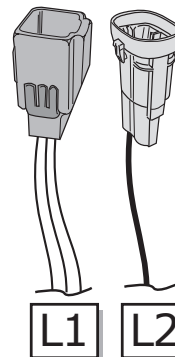
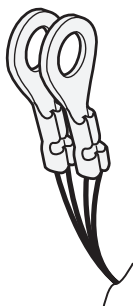
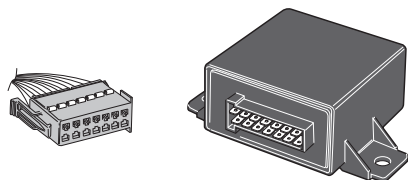
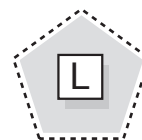
SOCKET CONNECTION



Pag. 39

# 2

## 2 INFO



## 2 INDEX CHECKLISTS MODELS

2.1	Citroën C4 Hatchback & Coupé	pag. 8
2.2	Citroën C4 Picasso	pag. 9
2.3	Citroën C4 Grand Picasso	pag. 9
2.4	Citroën C5 Hatchback II	pag. 9
2.5	Citroën C5 Break II	pag. 10
2.6	Citroën C5 III & Tourer III	pag. 10
2.7	Citroën C6	pag. 10
2.8	Peugeot Expert & Citroën Jumpy & Fiat Scudo & Toyota Pro Ace	pag. 11
2.9	Peugeot 307 Break & SW	pag. 11
2.10	Peugeot 307 Hatchback	pag. 11
2.12	Peugeot 308	pag. 12
2.12	Peugeot 308 SW	pag. 12
2.13	Peugeot 3008	pag. 12
2.14	Peugeot 407 Sedan	pag. 13
2.15	Peugeot 407 SW	pag. 13
2.16	Peugeot 407 Coupé	pag. 13
2.17	Peugeot 5008	pag. 14
2.18	Peugeot 807 & Citroën C8 & Fiat Ulysse & Lancia Phedra	pag. 14
2.19	Peugeot Partner & Citroën Berlingo	pag. 14

## 2.1 Citroën C4 Hatchback & Coupé

3

4.1 06-2008 → (DAM 11558)

4.3 → 05-2008 (DAM 11557)

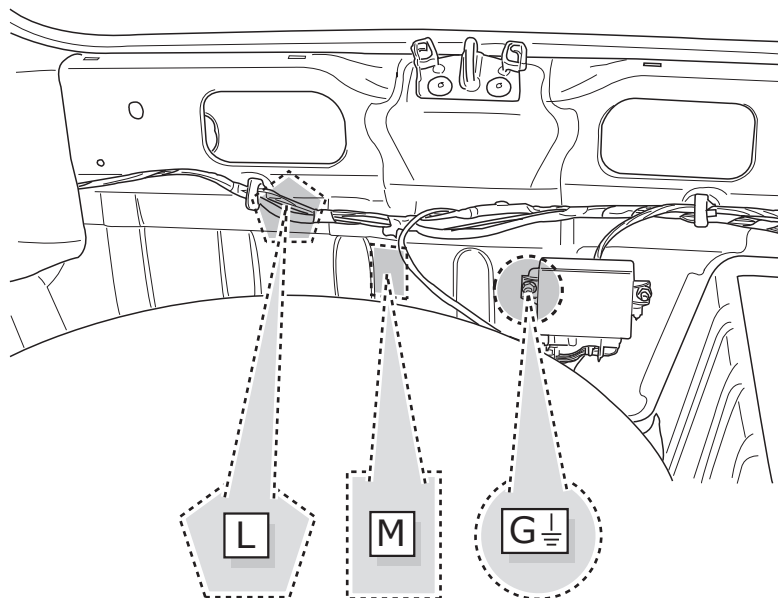
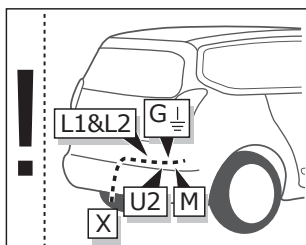
5.1

5.2

6


7 OPTION

8





## 2.2 Citroën C4 Picasso



3

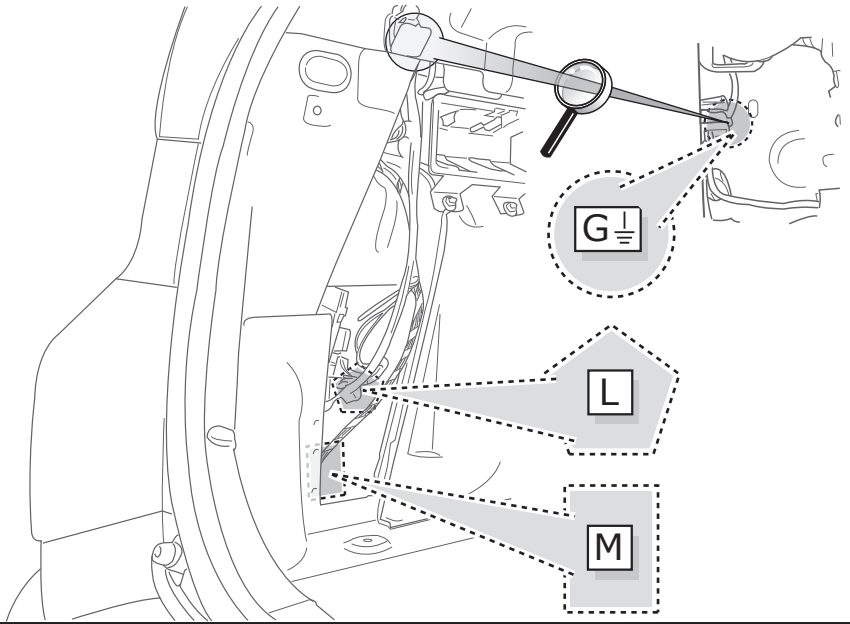
4

5.4


6

7 OPTION

8



## 2.3 Citroën C4 Grand Picasso



3

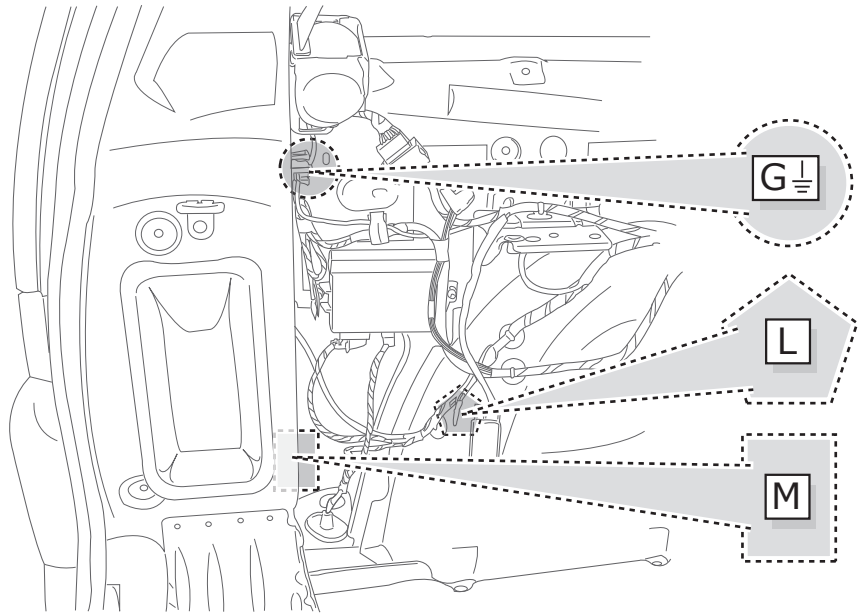
4

5.5


6

7 OPTION

8




## 2.4 Citroën C5 Hatchback II



3

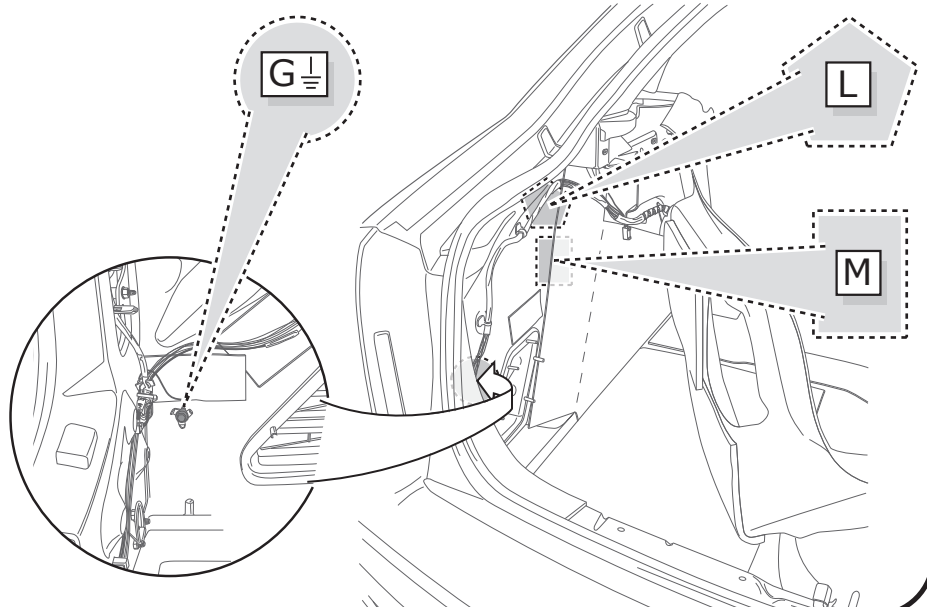
4

5 


6

7 OPTION

8




## 2.5 Citroën C5 Break II



3

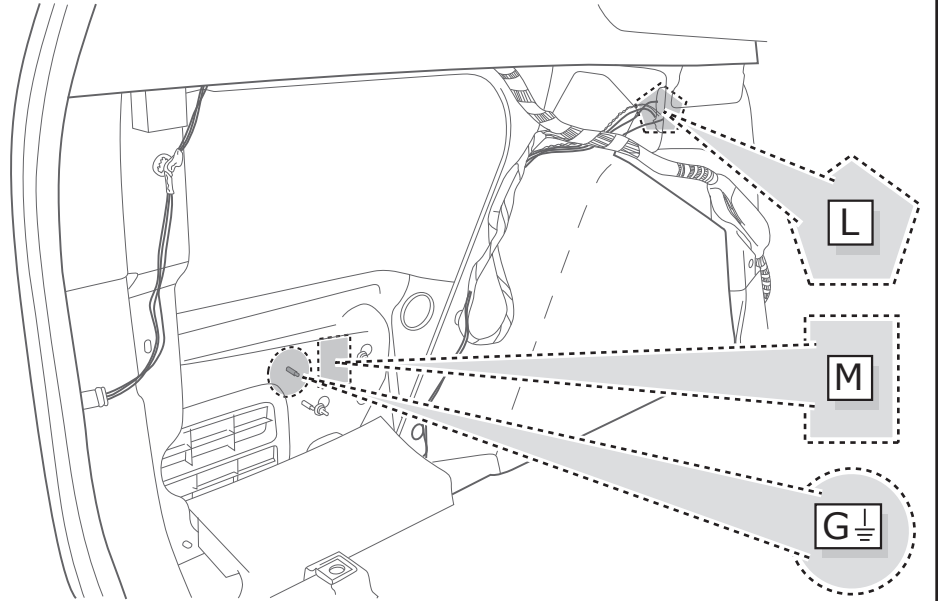
4

5 


6

7 OPTION

8

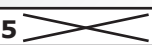


## 2.6 Citroën C5 III & Tourer III



3

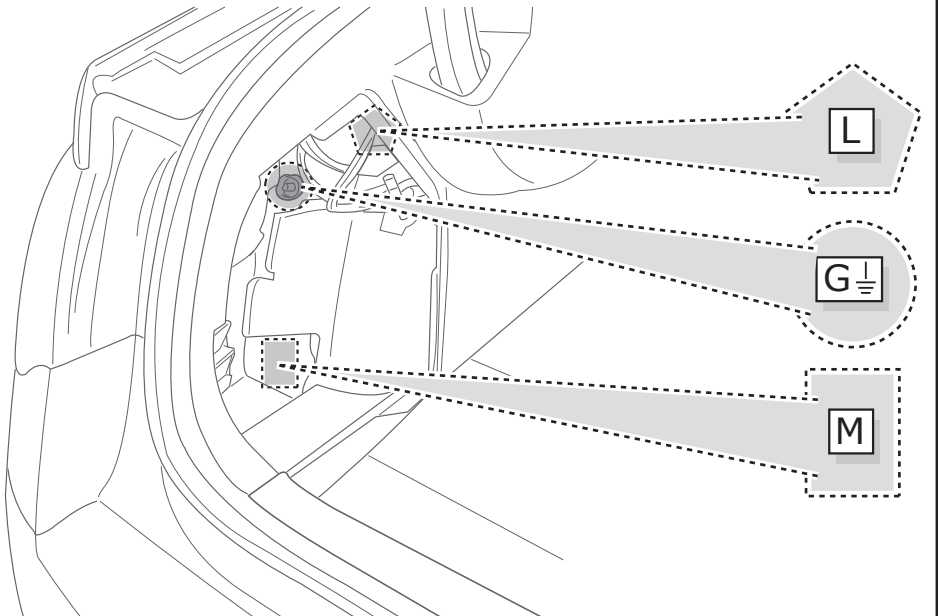
4.1

5 


6

7 OPTION

8




## 2.7 Citroën C6



3

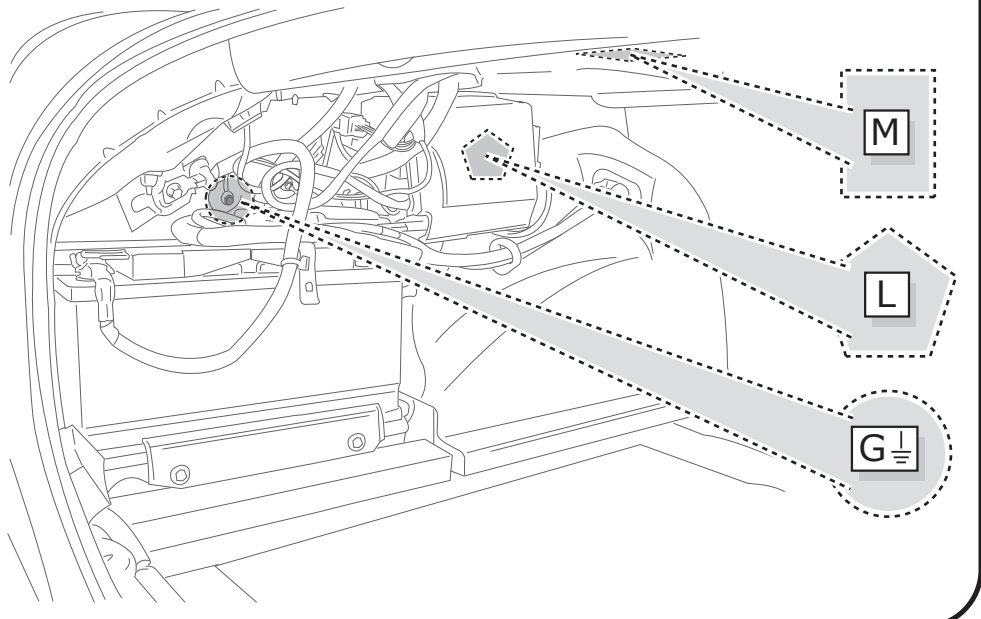
4.4

5 


6

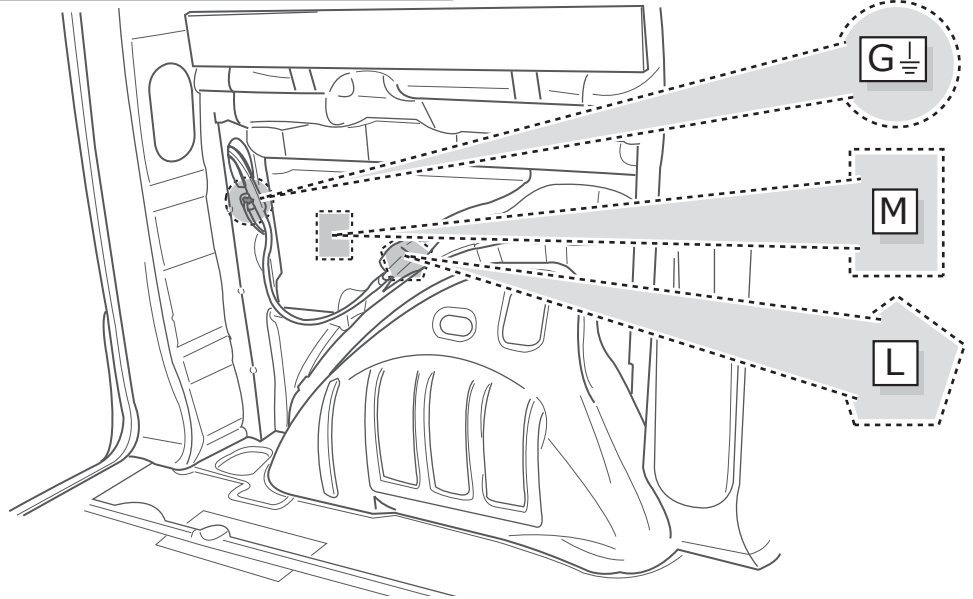
7 OPTION

8




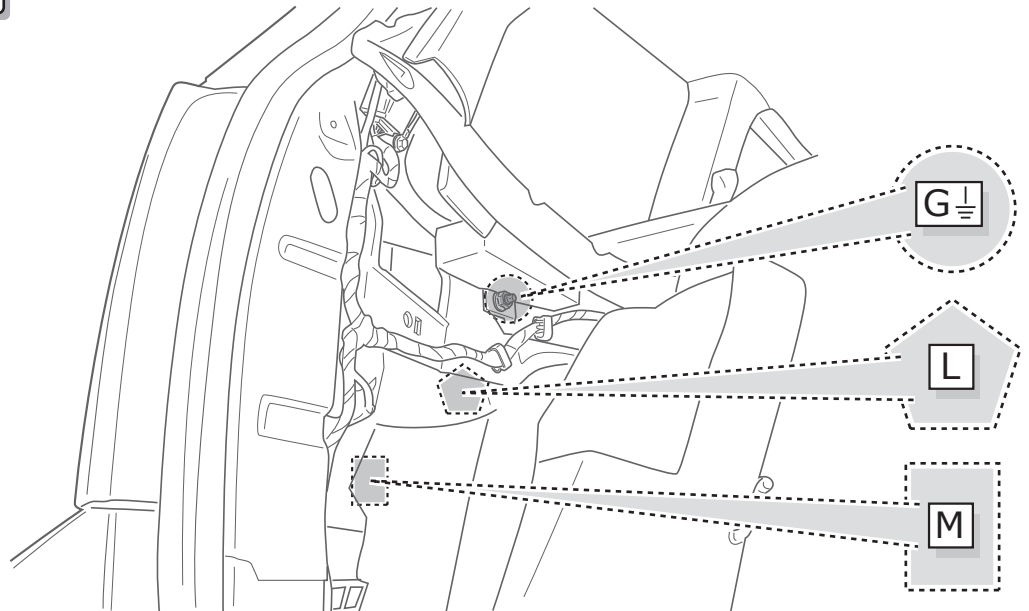
## 2.8 Peugeot Expert & Citroën Jumpy & Fiat Scudo & Toyota Pro Ace

- 
- 3
- 4.1
- 5.3
- 6
- 7 OPTION
- 8




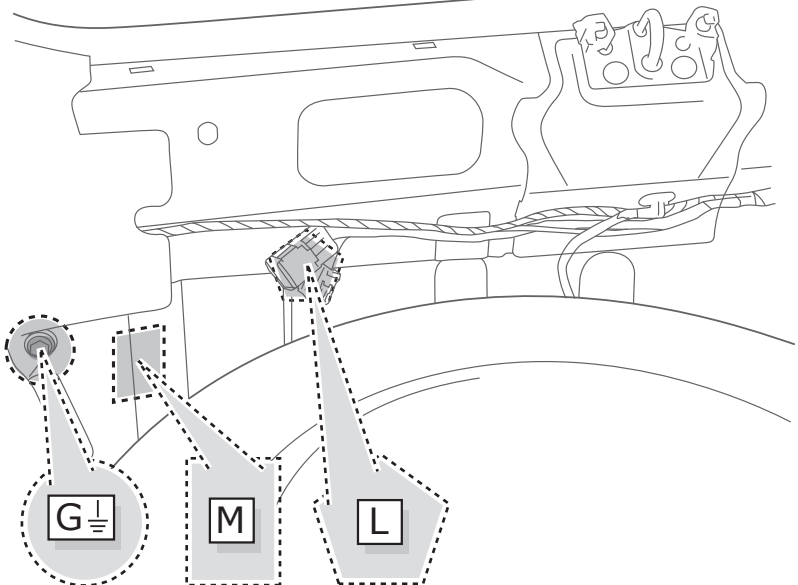
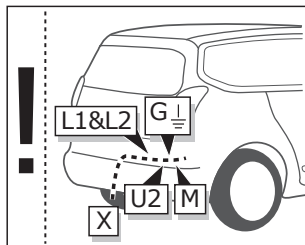
## 2.9 Peugeot 307 Break & SW

- 
- 3
- 4.1
- 5.1
- 5.2
- 6
- 7 OPTION
- 8




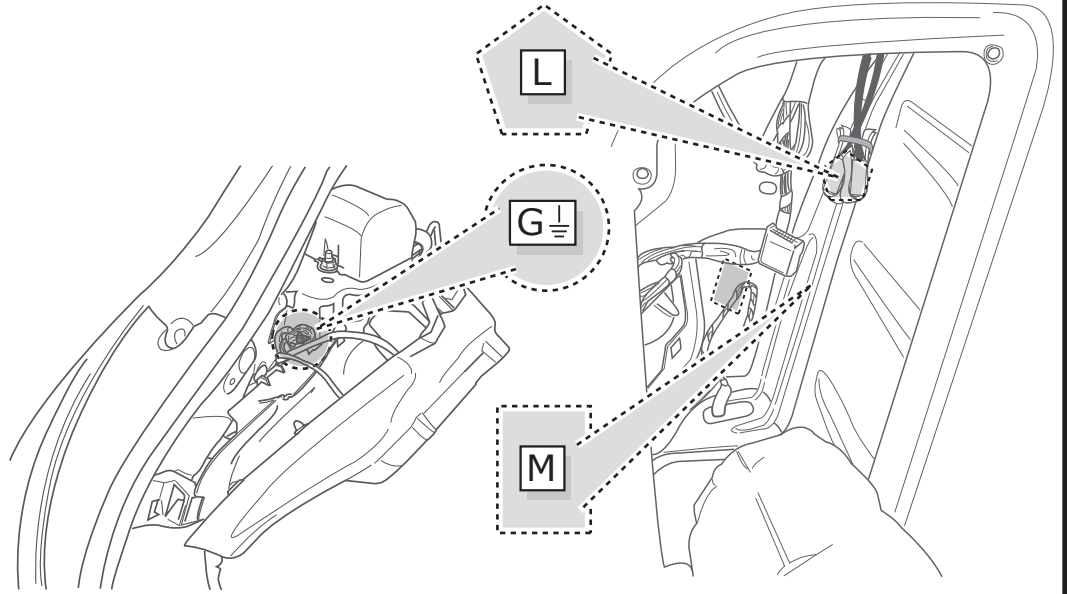
## 2.10 Peugeot 307 Hatchback

- 
- 3
- 4.1
- 5.1
- 5.2
- 6
- 7 OPTION
- 8




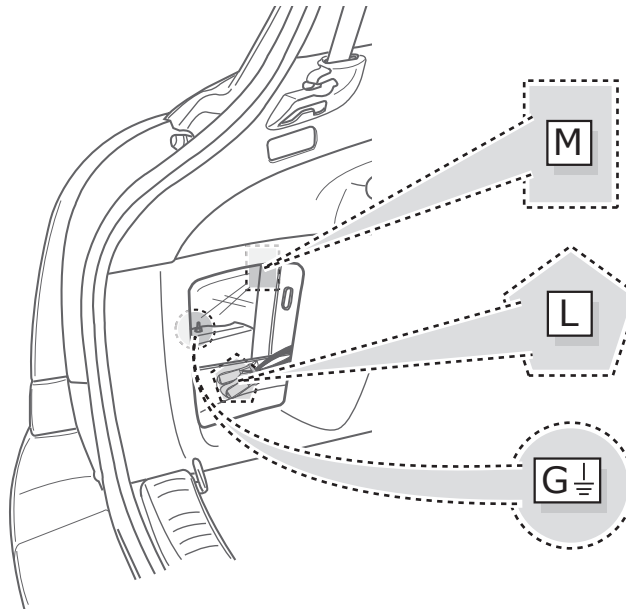
## 2.11 Peugeot 308

- 
- 3
- 4.1
- 5.1
- 5.2
- 6
- 7 OPTION
- 8




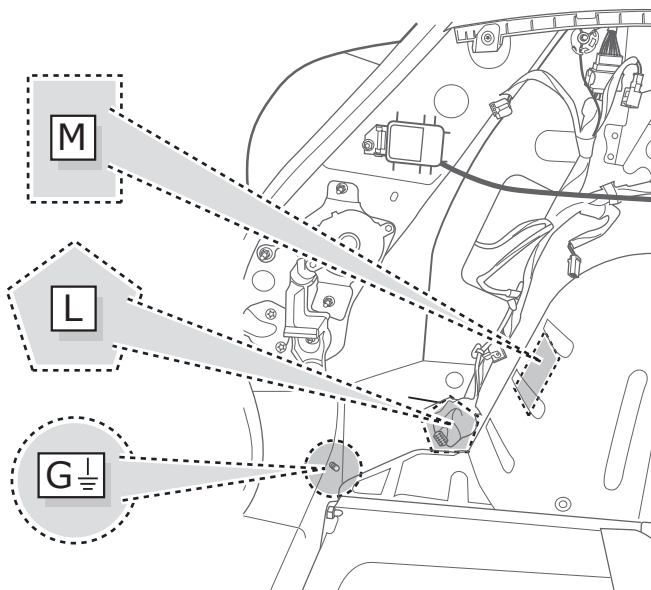
## 2.12 Peugeot 308 SW

- 
- 3
- 4.1
- 5.1
- 5.2
- 6
- 7 OPTION
- 8



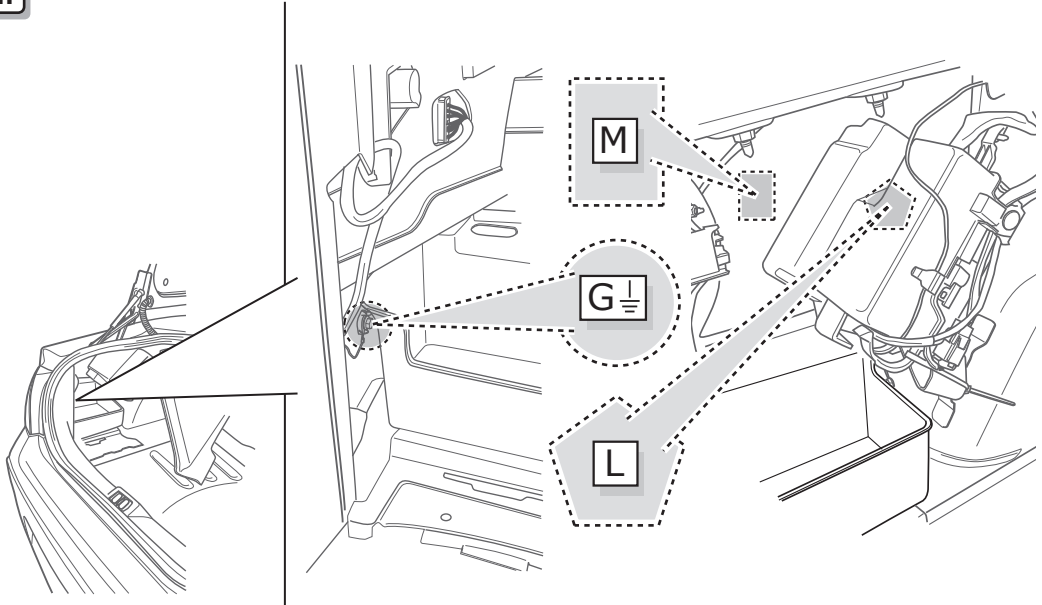
## 2.13 Peugeot 3008

- 
- 3
- 4.1
- 5.2
- 6
- 7 OPTION
- 8



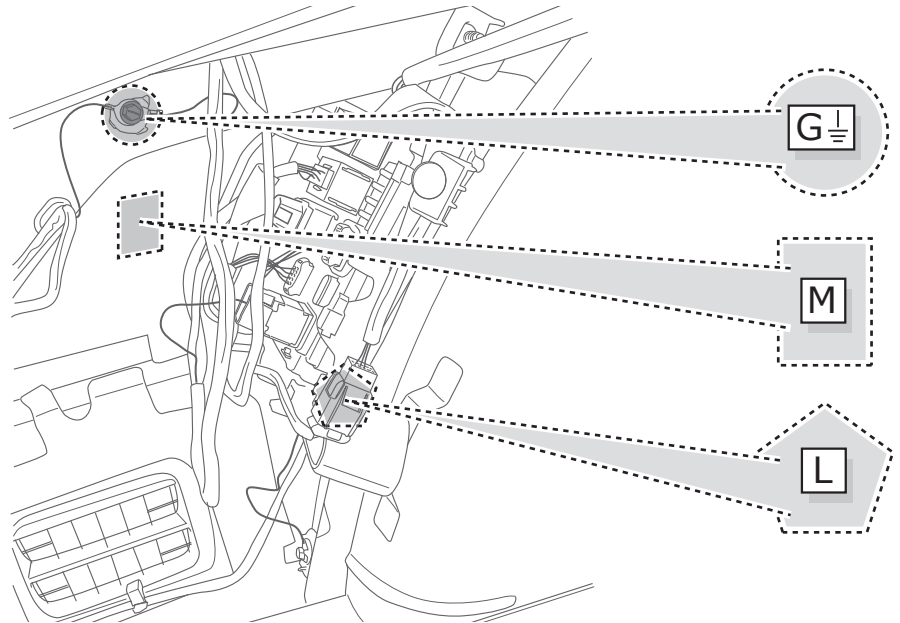
## 2.14 Peugeot 407 Sedan

- 
- 3
- 4
- 5.6
- 6
- 7 OPTION
- 8



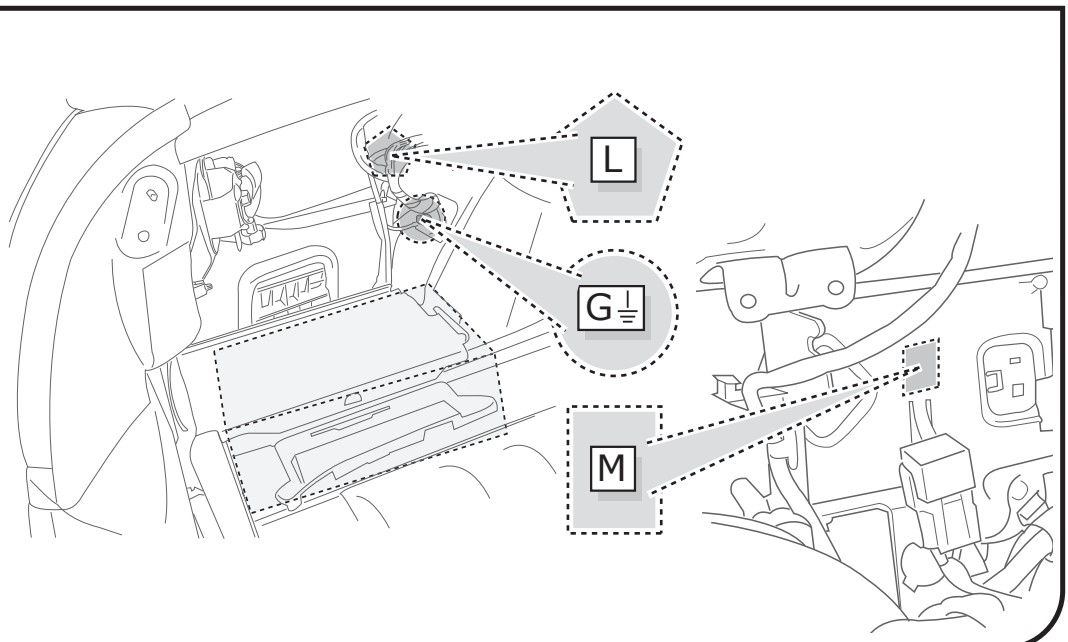
## 2.15 Peugeot 407 SW

- 
- 3
- 4
- 5.6
- 6
- 7 OPTION
- 8




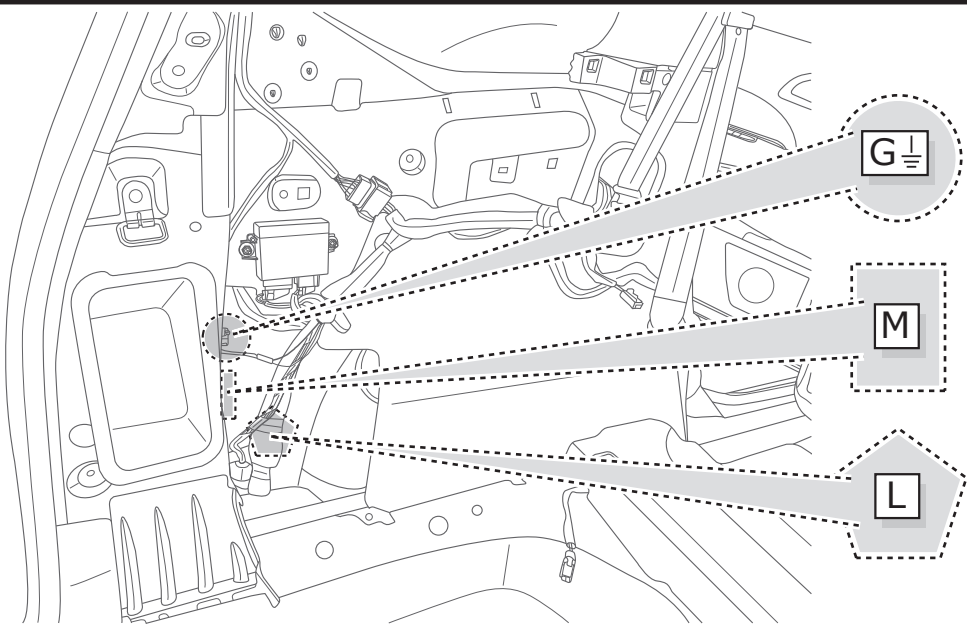
## 2.16 Peugeot 407 Coupé

- 
- 3
- 4
- 5.7 >|06-2007
- 5.6 06-2007|>
- 6
- 7 OPTION
- 8




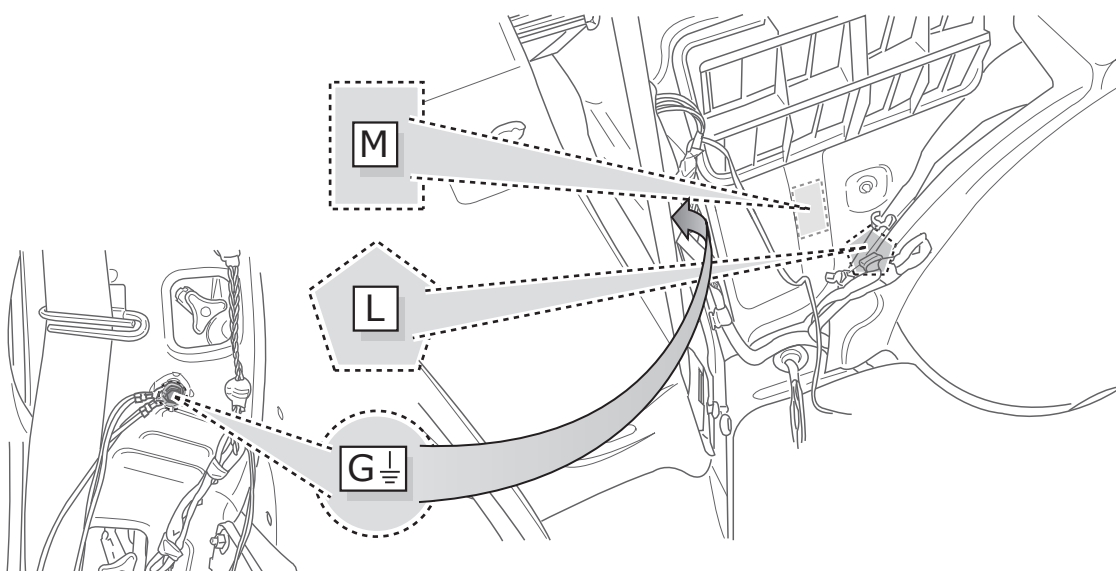
## 2.17 Peugeot 5008

- 
- 3
- 4.1
- 5.2
- 5.5
- 6
- 7 OPTION
- 8




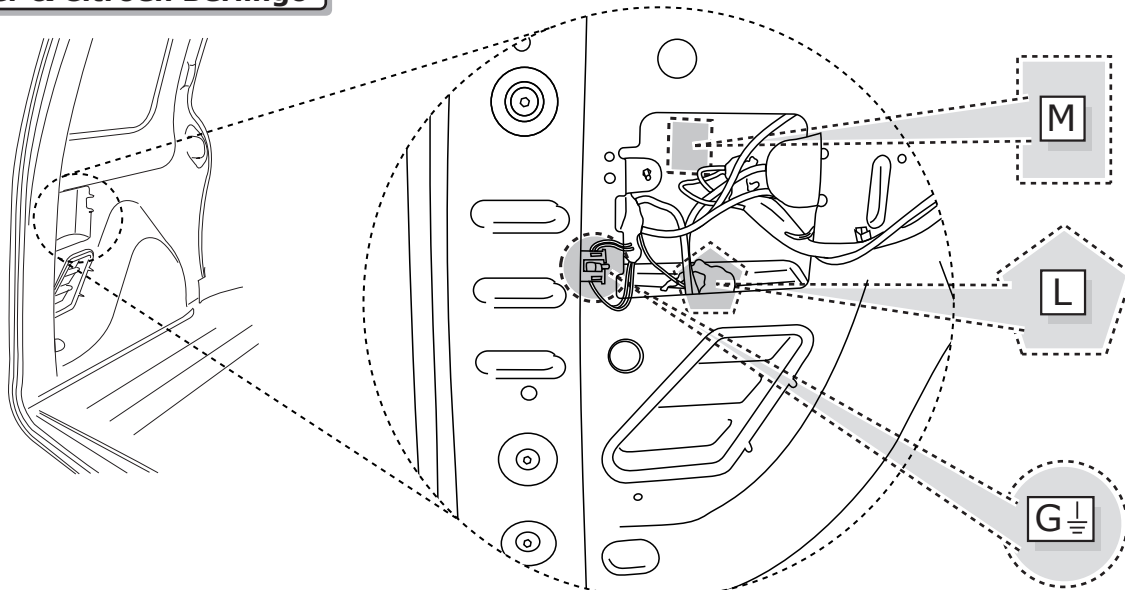
## 2.18 Peugeot 807 & Citroën C8 & Fiat Ulysse & Lancia Phedra

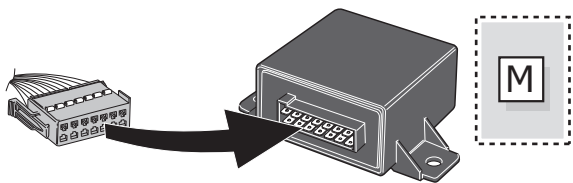
- 
- 3
- 4.1
- 5.3
- 6
- 7 OPTION
- 8



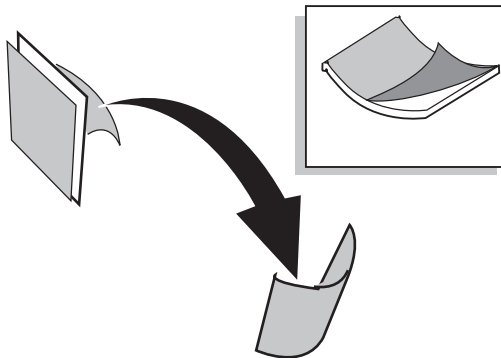
## 2.19 Peugeot Partner & Citroën Berlingo

- 
- 3
- 4.1
- 4.5
- 5.2
- 6
- 7 OPTION
- 8

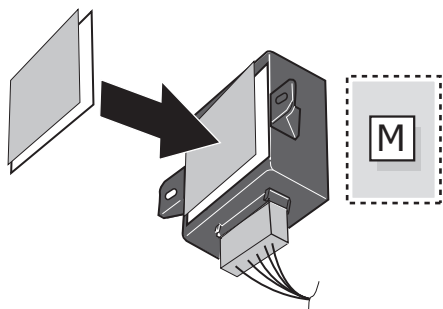




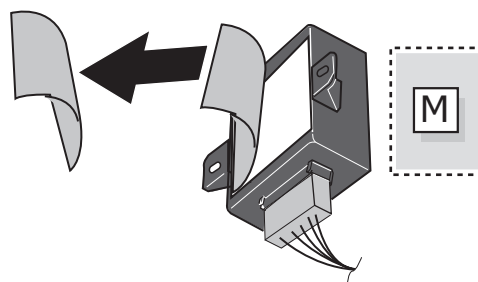
1



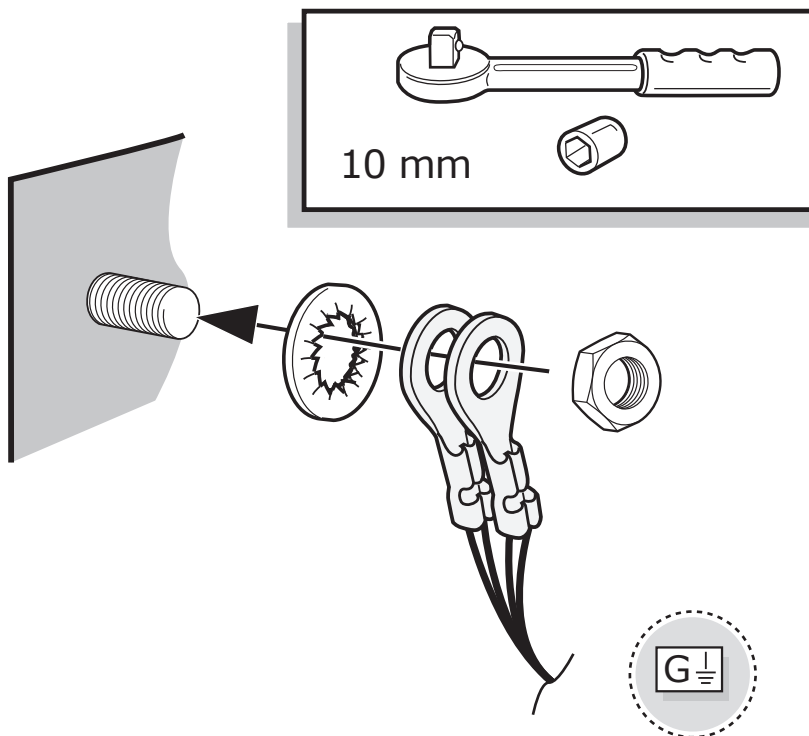
2

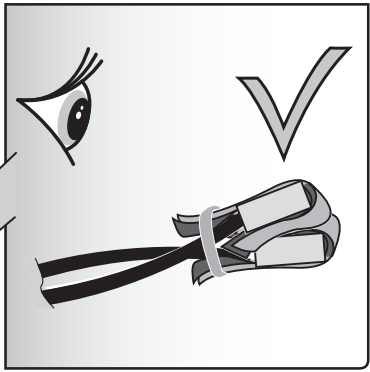
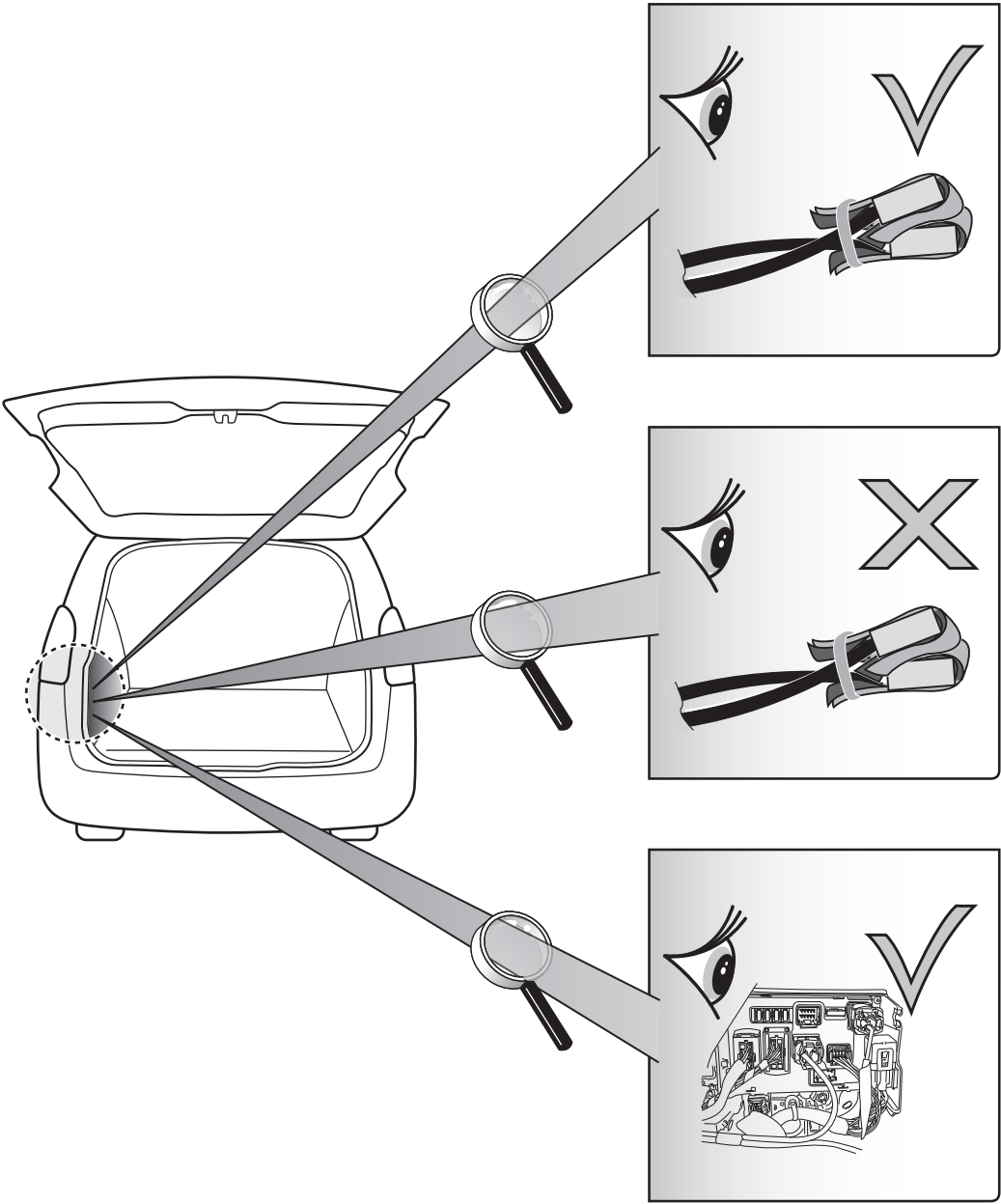



3

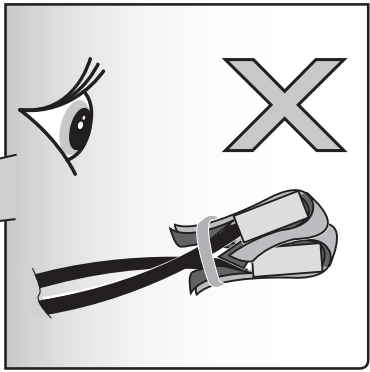



4

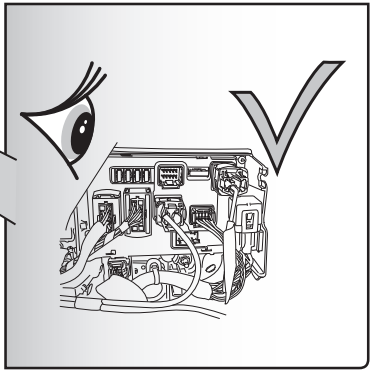





➔ **4.1**  
 **Pag. 17**



➔ **4.3**  
 **Pag. 19**



➔ **4.4**  
 **Pag. 20**

**Citroën C4 (Grand) Picasso:**

**Org / DAM -11557**

➔ **4.3**  
 **Pag. 19**

**Org / DAM 11558-**

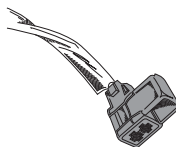
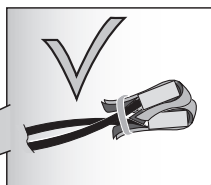
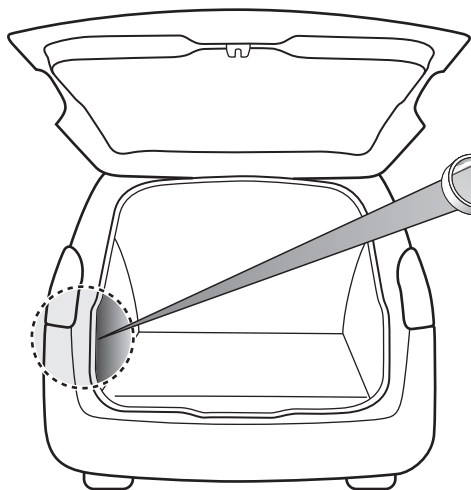
➔ **4.1**  
 **Pag. 17**



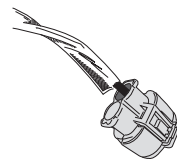
# 4.1



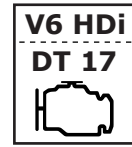
4.1



OPTION A

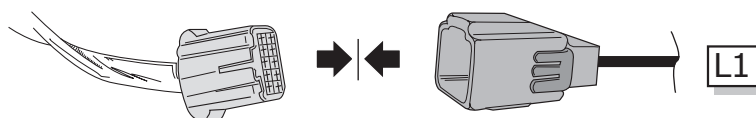


OPTION B

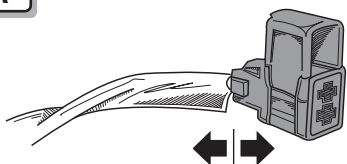


OPTION C

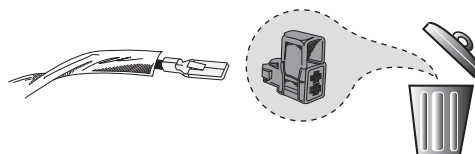
V6 HDi  
DT 17



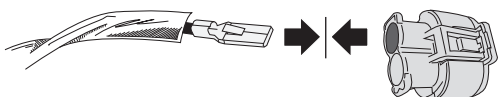
## 4.1 OPTION A



1



2

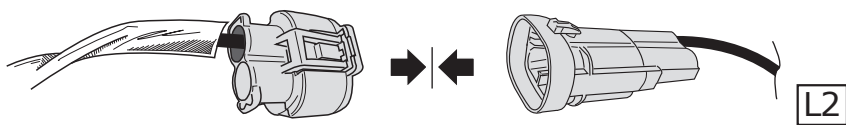


3



4

## 4.1 OPTION B



## 4.1 OPTION C

Peugeot 407 Sedan  
Peugeot 407 SW  
Peugeot 407 Coupé

Citroën C5  
Citroën C5 Break  
Citroën C5 Tourer

V6 HDi  
DT 17



4.2



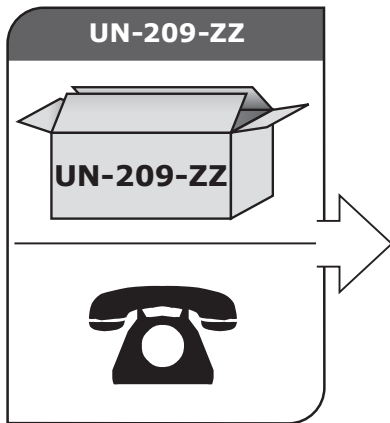
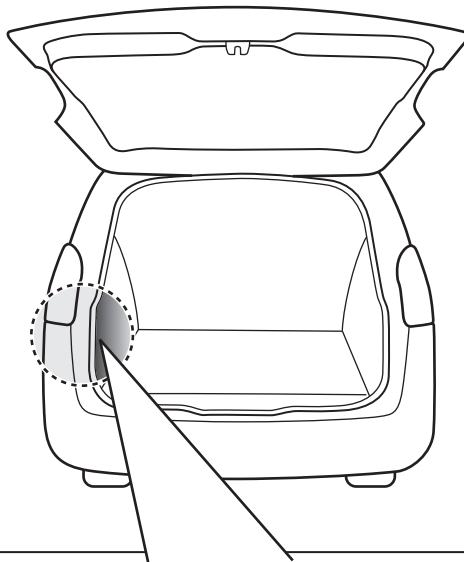

Pag. 18

# 4.2

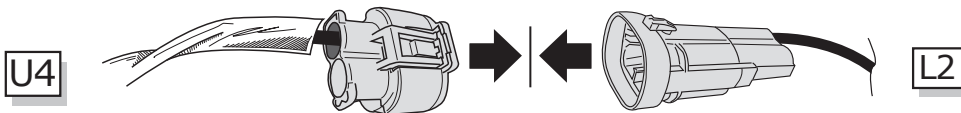
4.2

Peugeot 407 Sedan  
Peugeot 407 SW  
Peugeot 407 Coupé  
Citraën C5  
Citraën C5 Break  
Citraën C5 Tourer

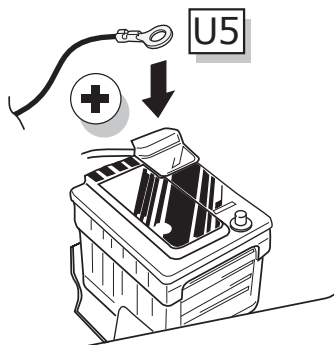
V6 HDi  
DT 17



**Consult your supplier.**



1

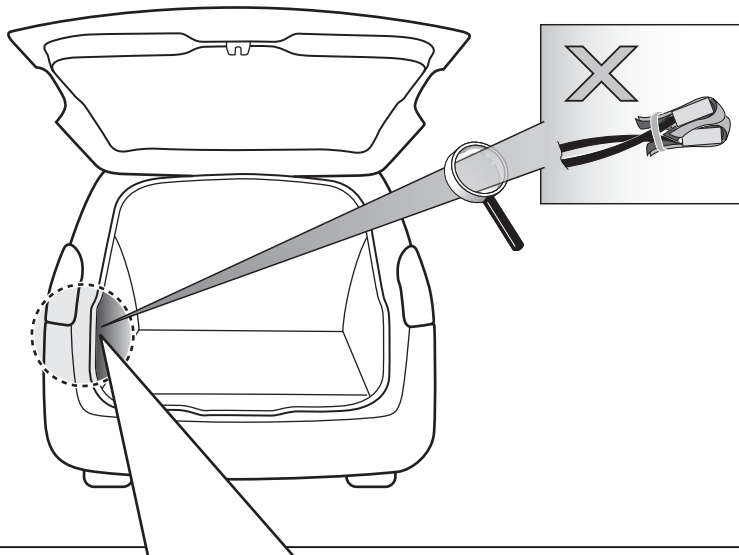


2


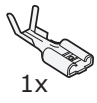



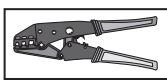
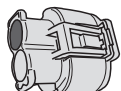
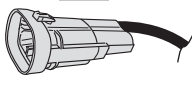
# 4.3

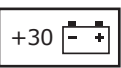
4.3



1

1x  1x 

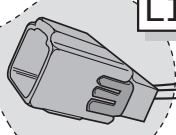
   

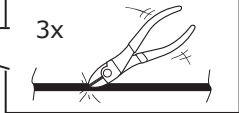
 +30  $\Rightarrow$   $\varnothing$  5 mm<sup>2</sup>

<b>White</b> code:BF16 <b>C4 Picasso</b>	<b>White/Grey</b> code:BH38 BH40 <b>C4 HB &amp; Coupé</b>
--	---

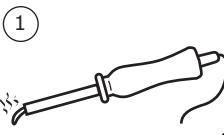
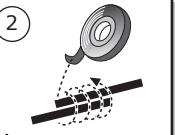
**L2**





2

 **L1**

 3x

3

 1  2

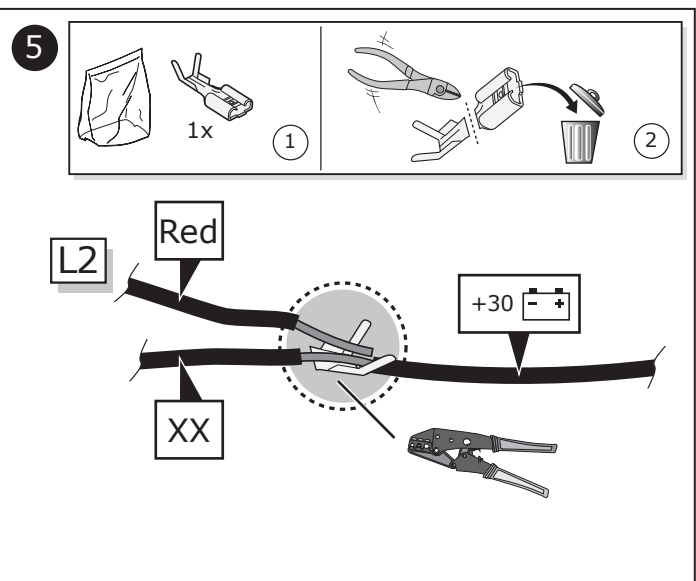
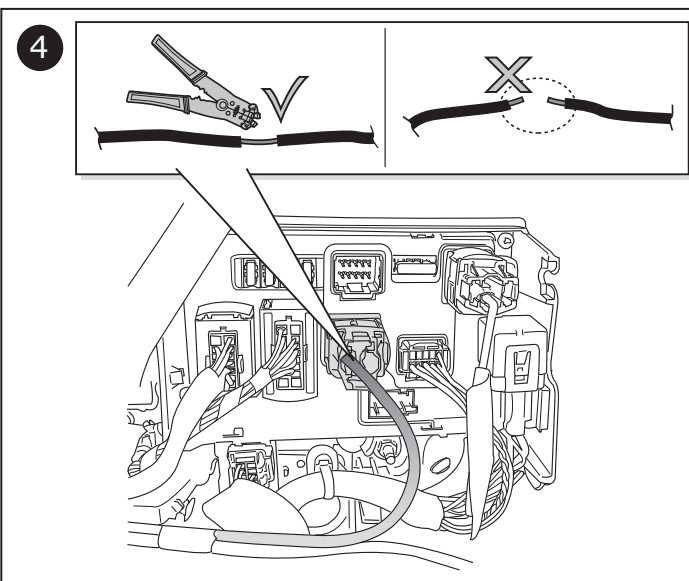
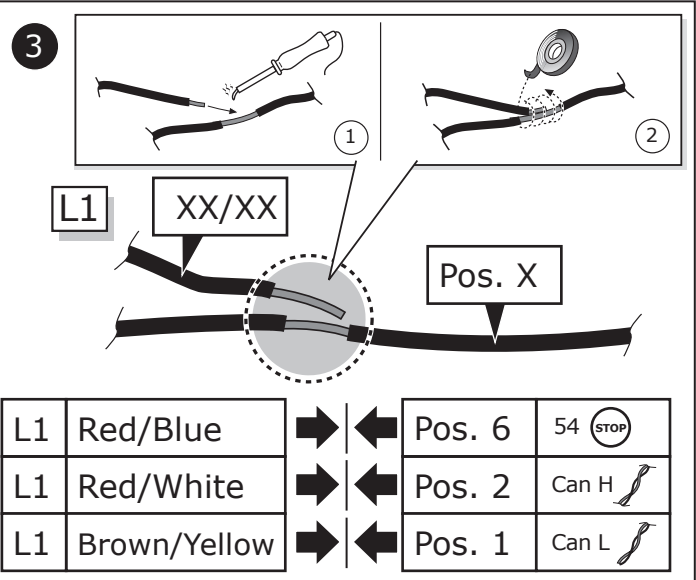
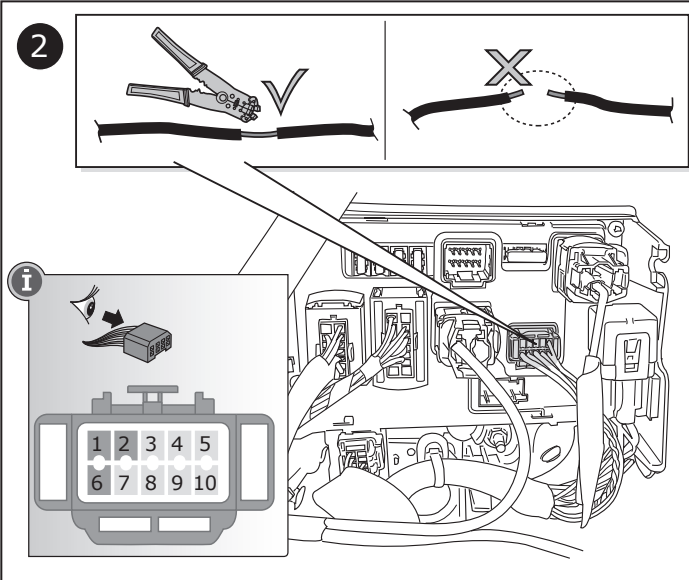
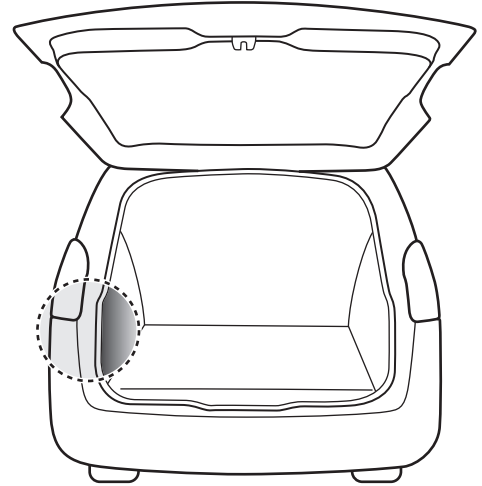
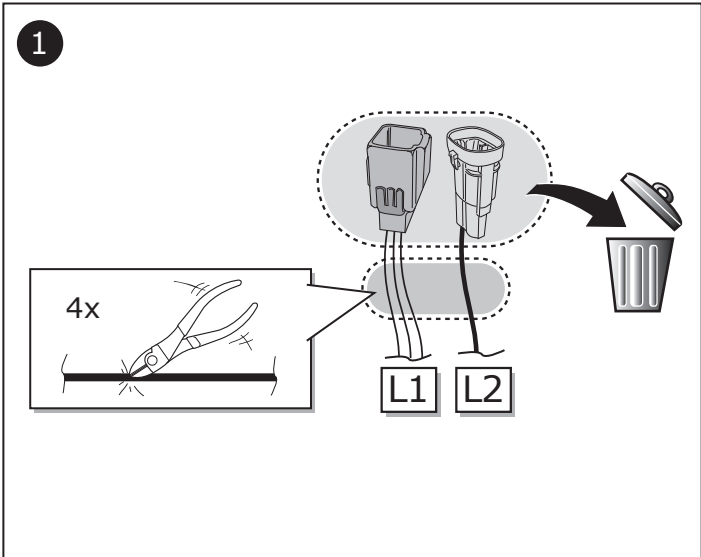
 54  code: 210 $\Rightarrow$ $\varnothing$ 0.5 mm <sup>2</sup>	<b>Yellow</b>	<b>Yellow</b>	$\Rightarrow$   $\Leftarrow$	<b>L1</b> <b>Red/Blue</b>
 Can H code: 9017 $\Rightarrow$ $\varnothing$ 0.35 mm <sup>2</sup>	<b>Red</b>	<b>Red/Grey</b>	$\Rightarrow$   $\Leftarrow$	<b>L1</b> <b>Red/White</b>
 Can L code: 9018 $\Rightarrow$ $\varnothing$ 0.35 mm <sup>2</sup>	<b>Brown</b>	<b>Brown/Yellow</b>	$\Rightarrow$   $\Leftarrow$	<b>L1</b> <b>Brown/Yellow</b>

**C4 Picasso**      **C4 HB & Coupé**



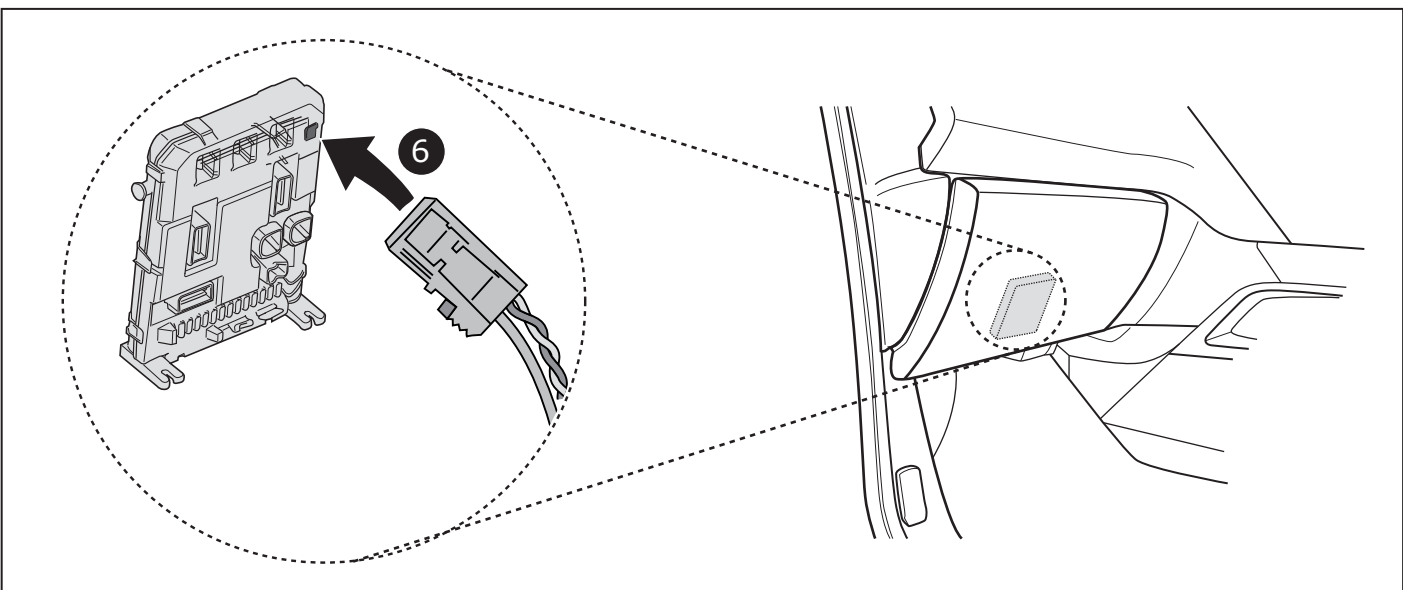
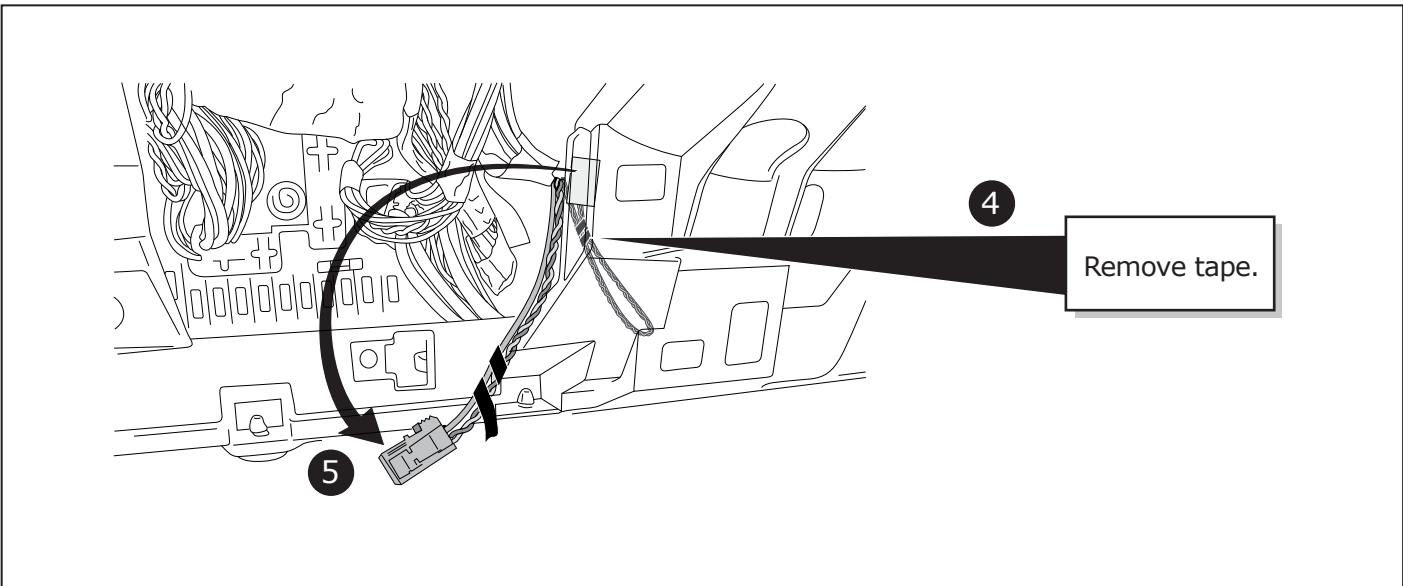
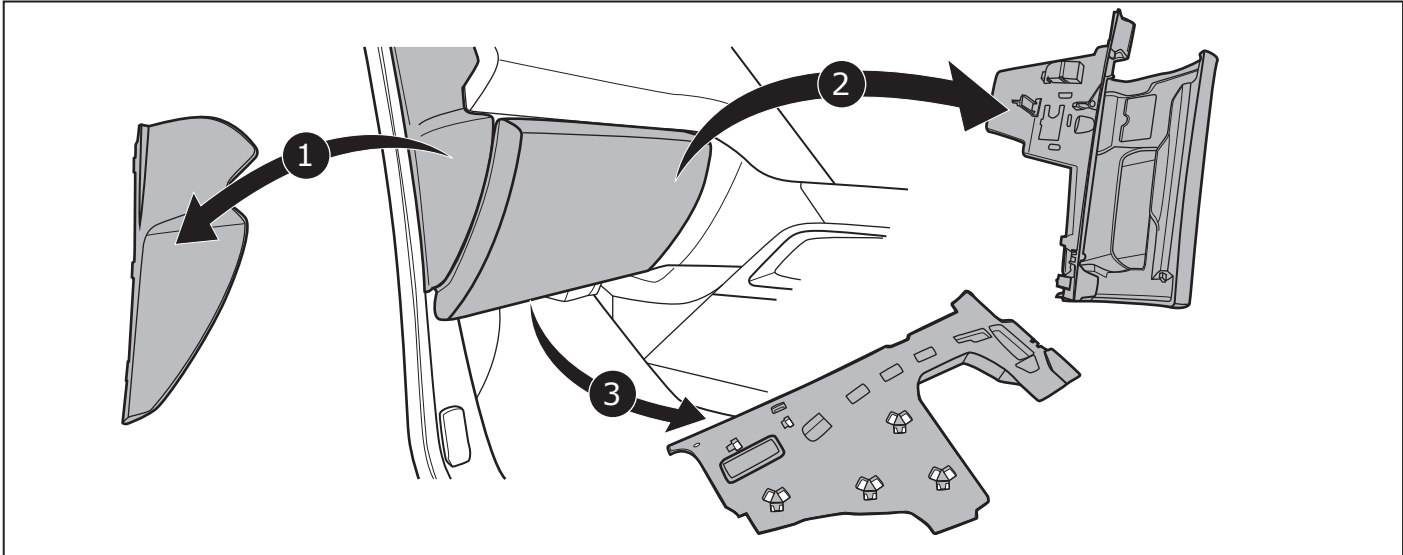
# 4.4

4.4



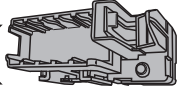
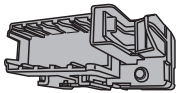
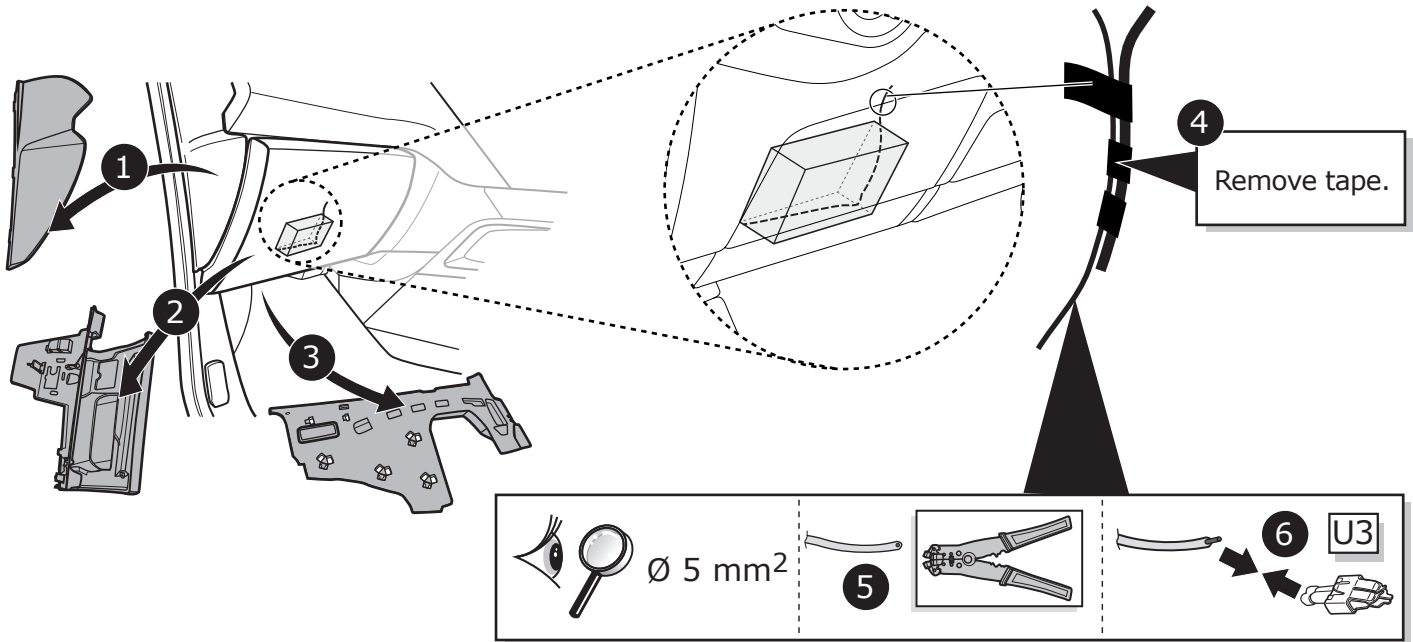
# 4.5

4.5

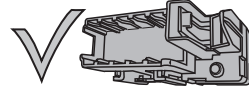


# 5.1

5.1

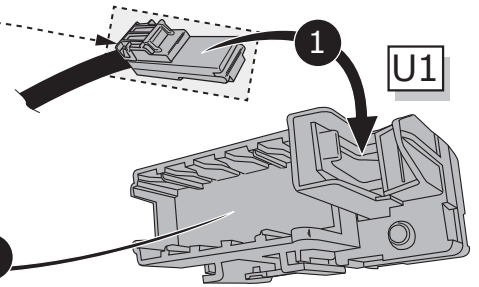
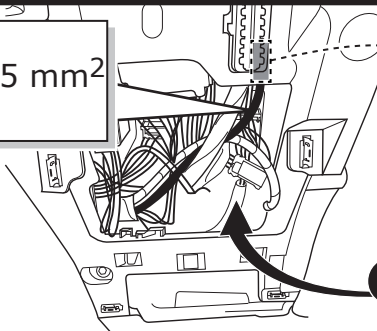
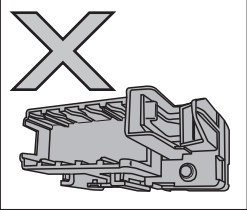


5.1 A



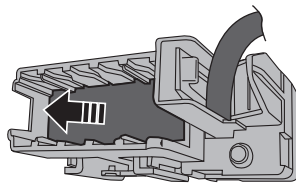
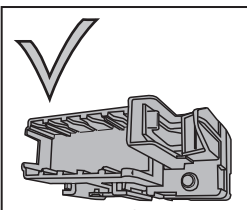
5.1 B

5.1 A



U1

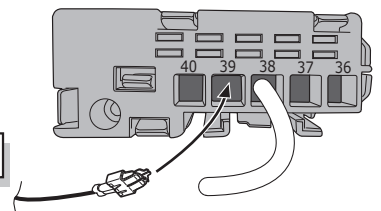
5.1 B



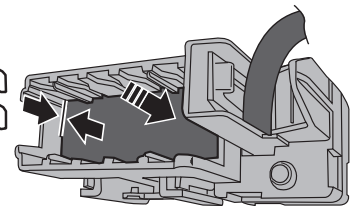
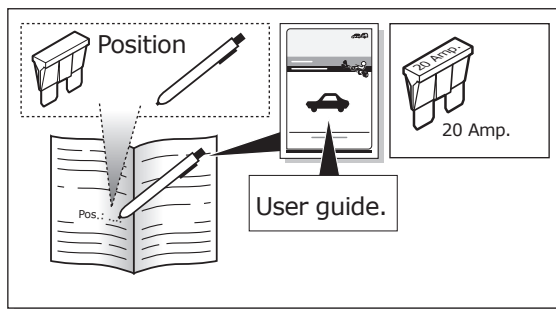
1

2

U3



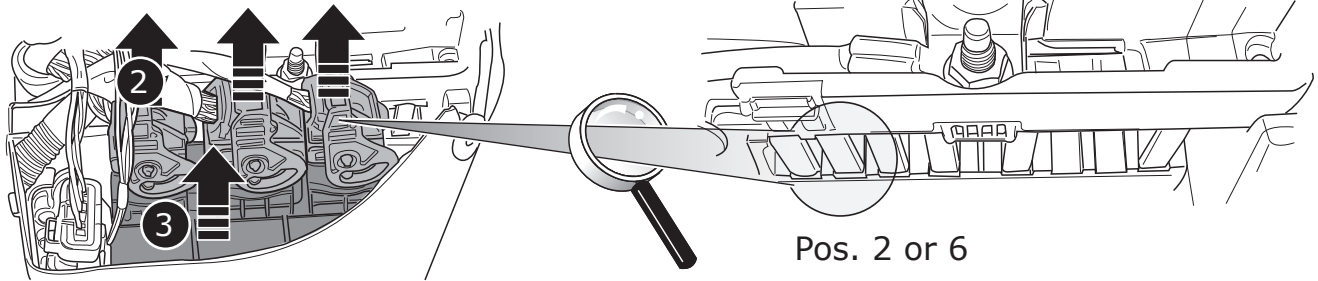
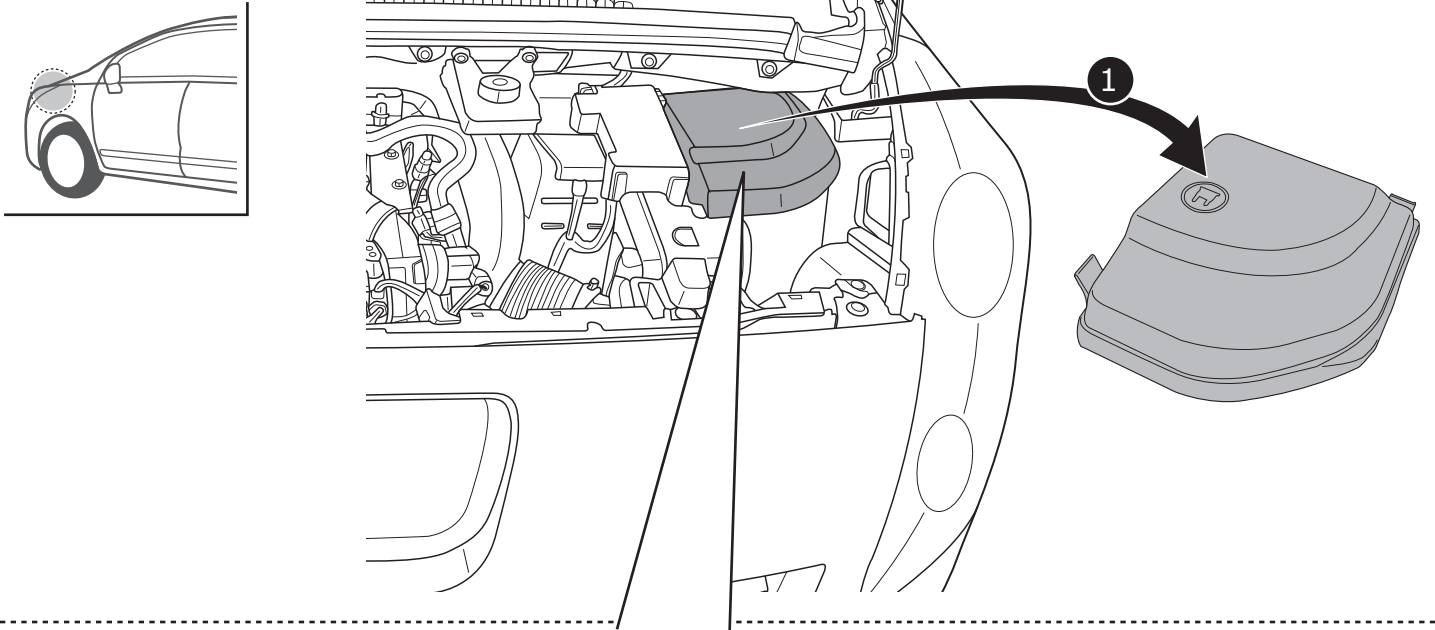
3



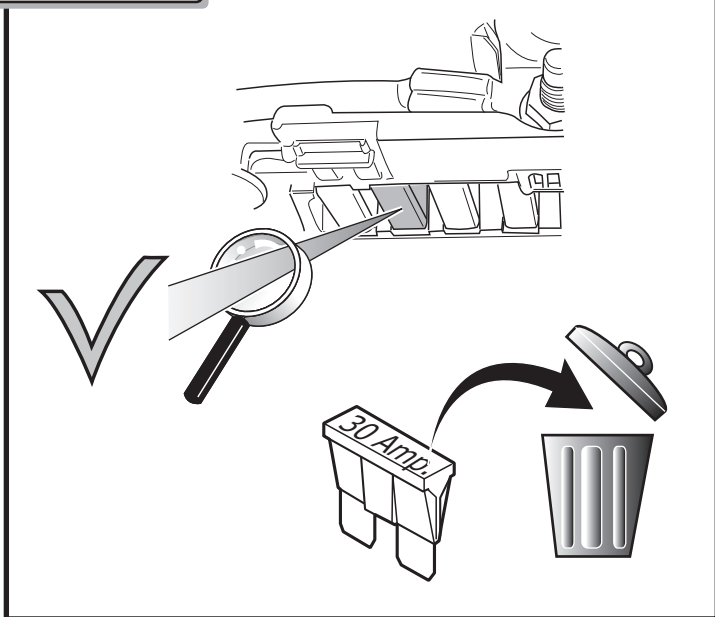
2

# 5.2

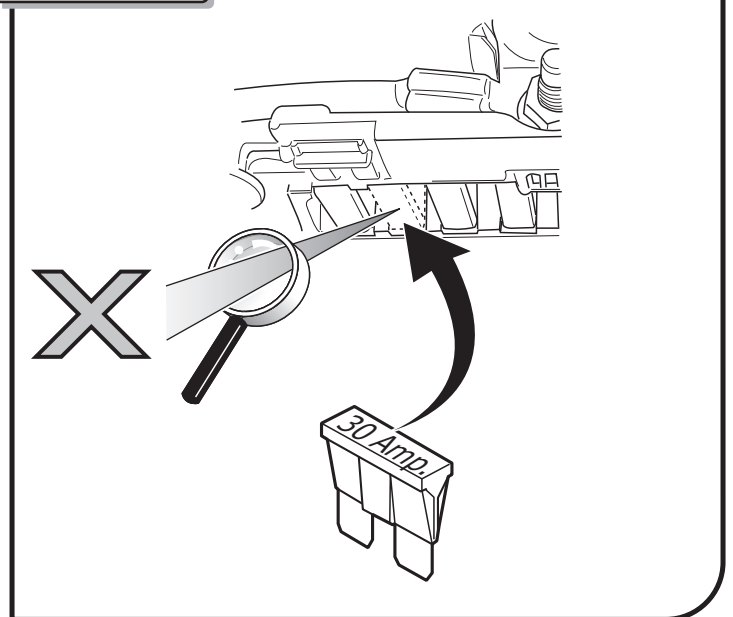
5.2



5.2 OPTION B



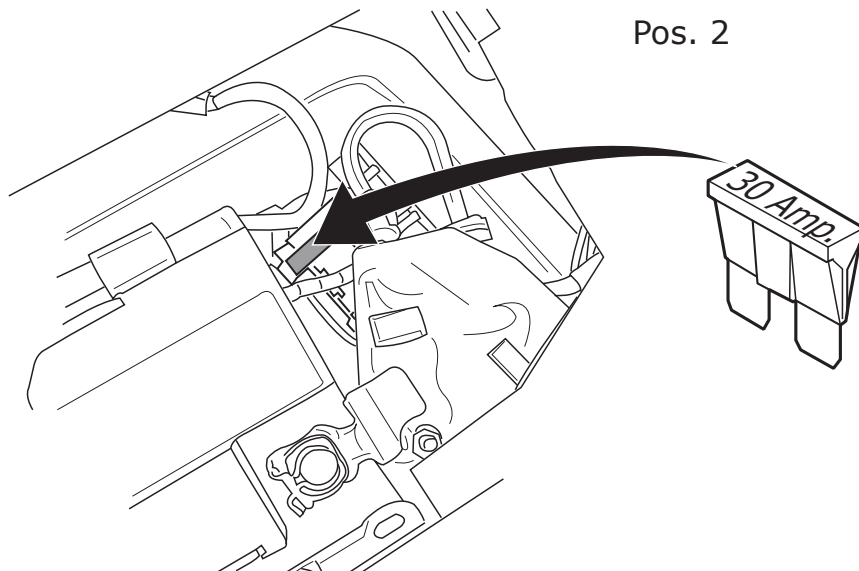
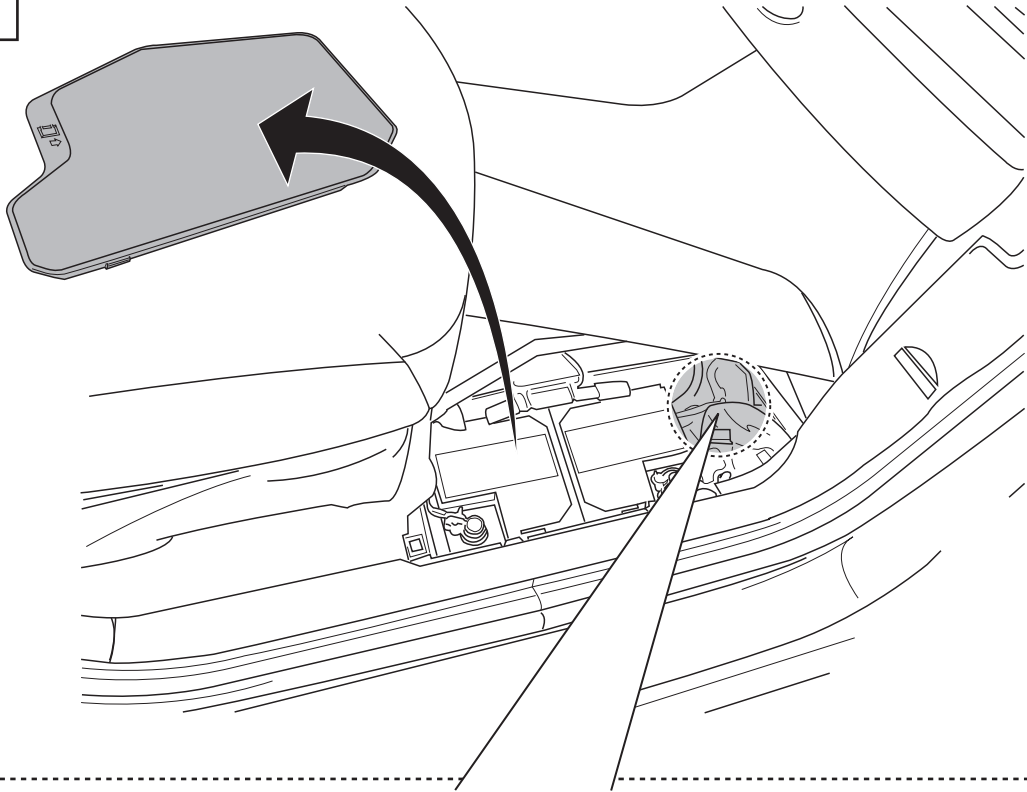
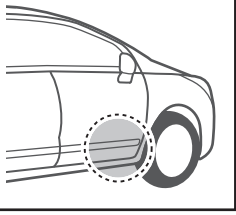
5.2 OPTION B



2

# 5.3

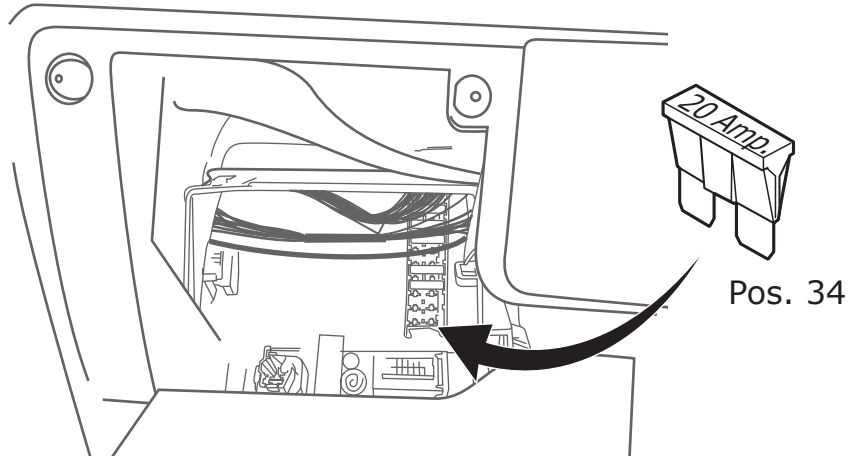
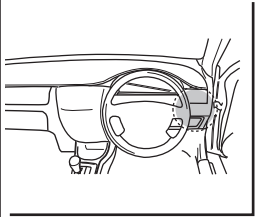
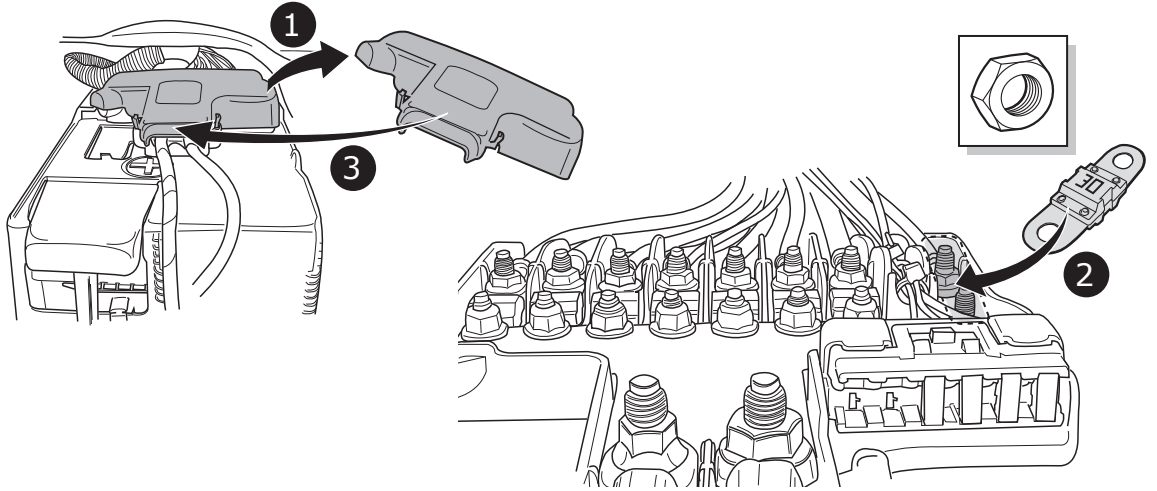
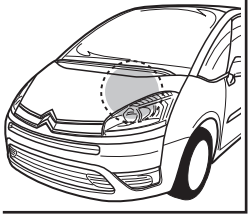
5.3





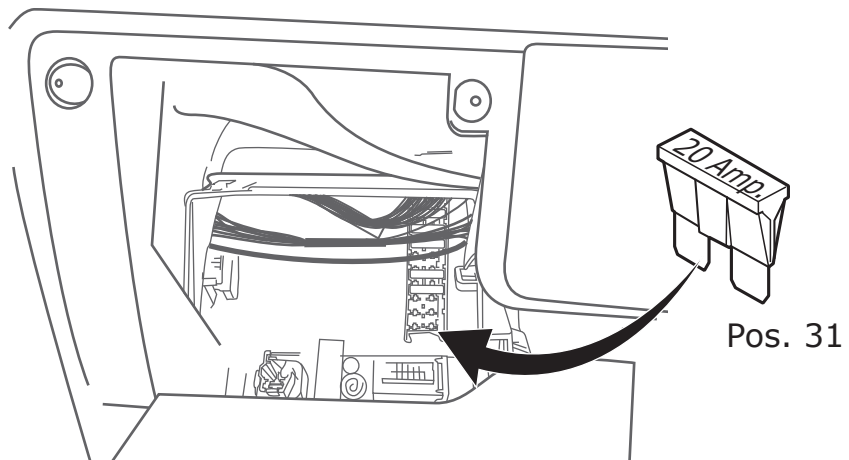
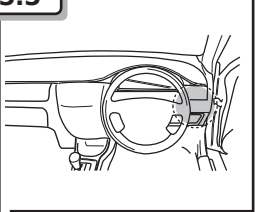
# 5.4

5.4



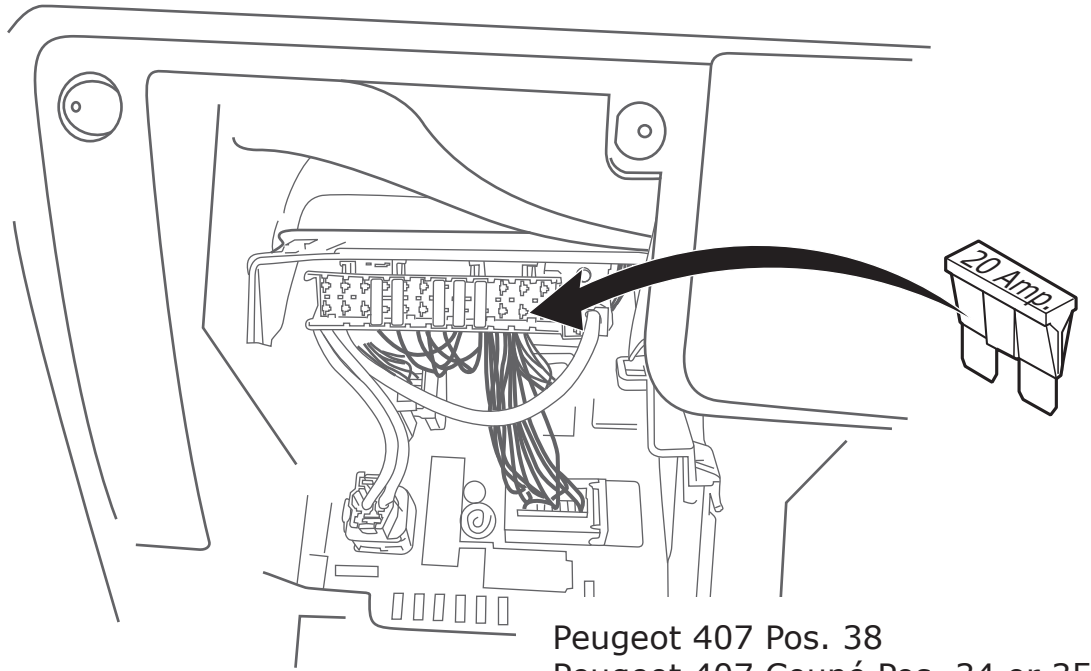
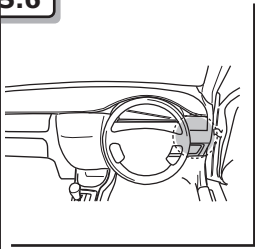
# 5.5

5.5



# 5.6

5.6

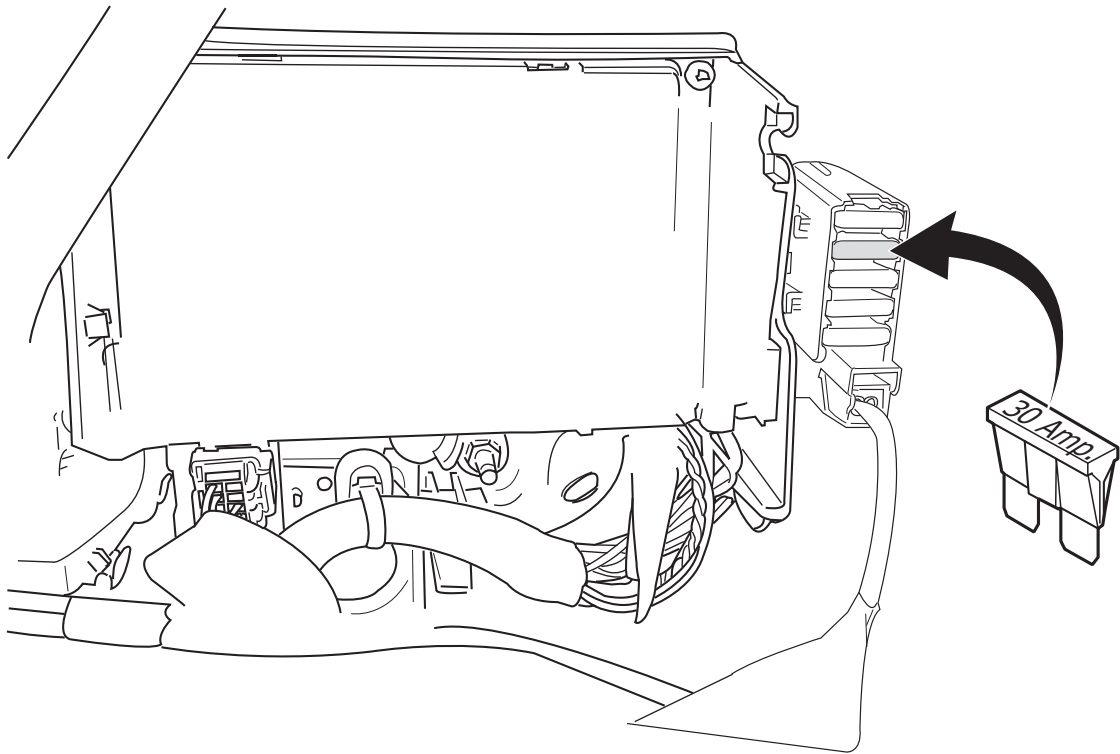
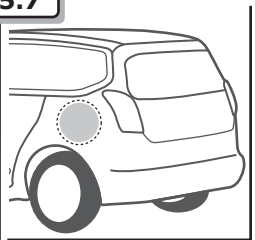


Peugeot 407 Pos. 38  
Peugeot 407 Coupé Pos. 34 or 35

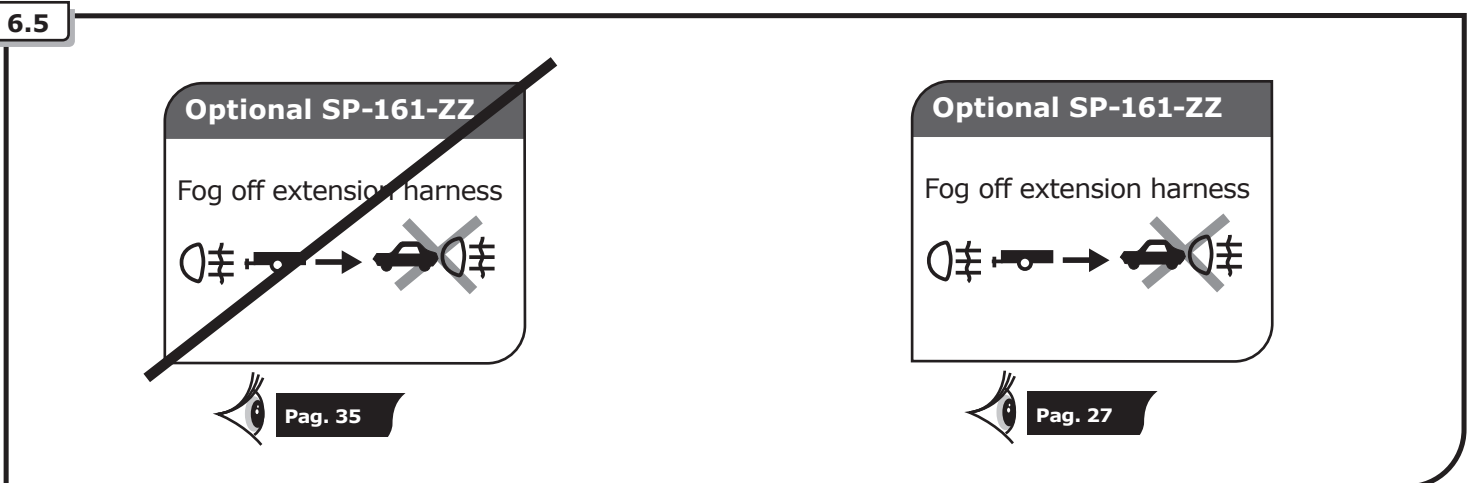
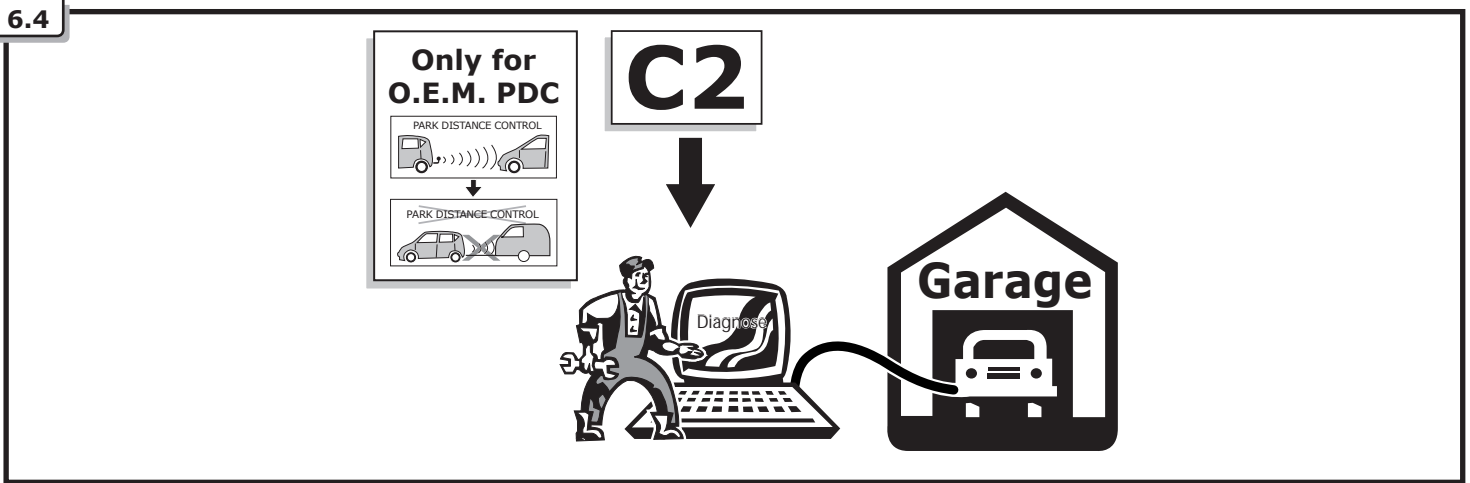
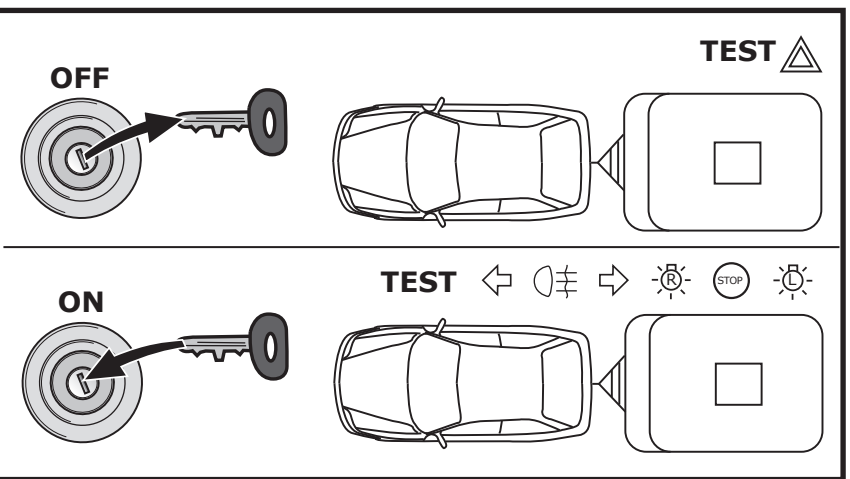
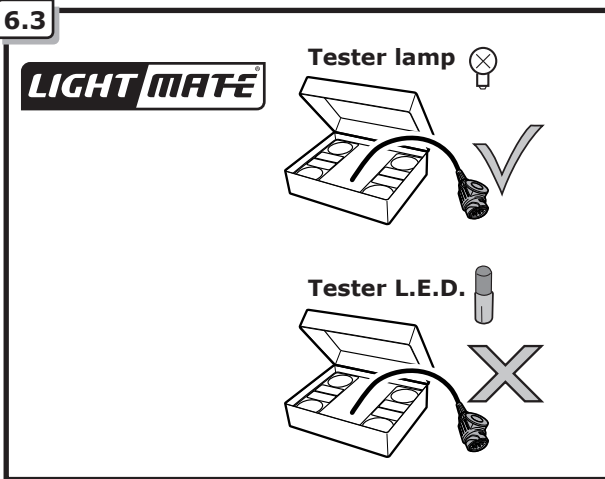
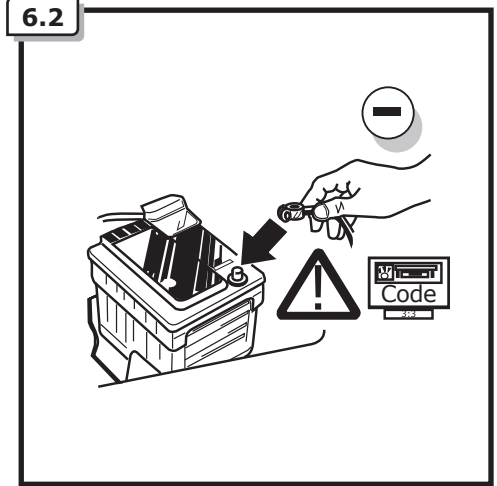
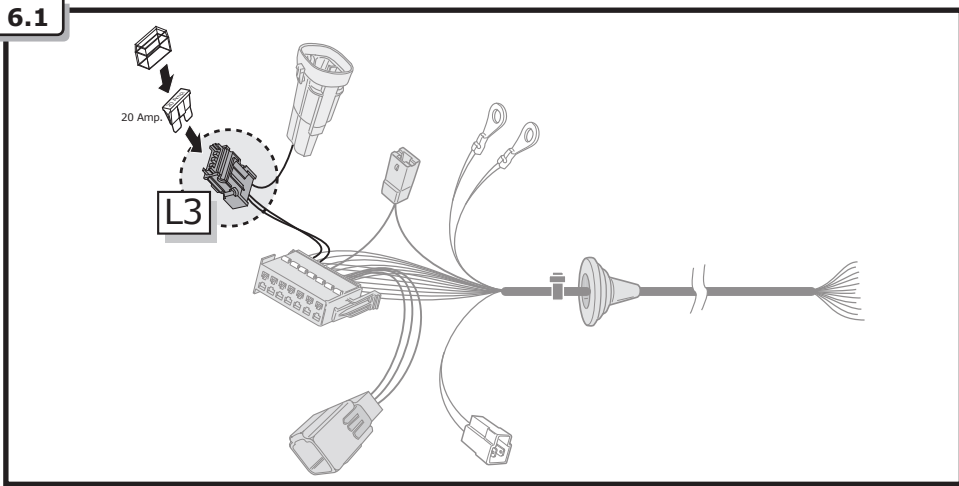


# 5.7

5.7



# 6

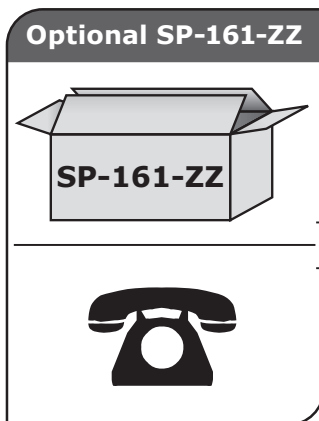
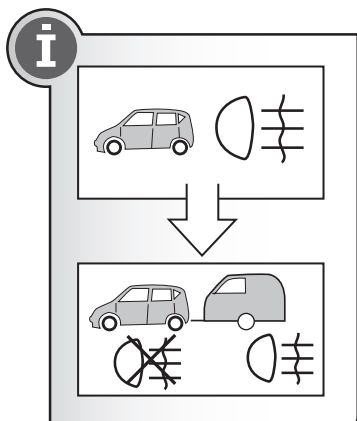


# 7 OPTIONAL

INFO

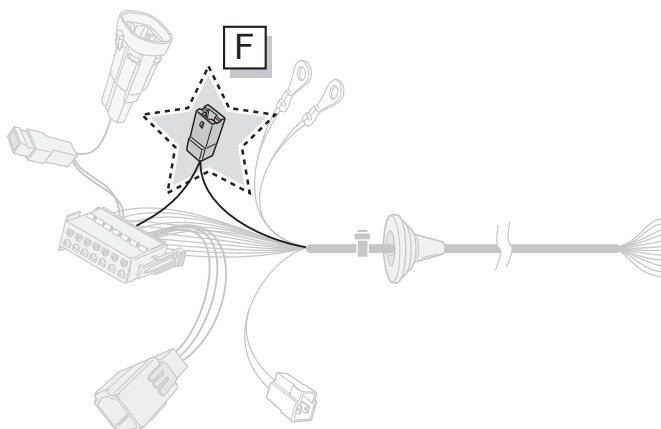
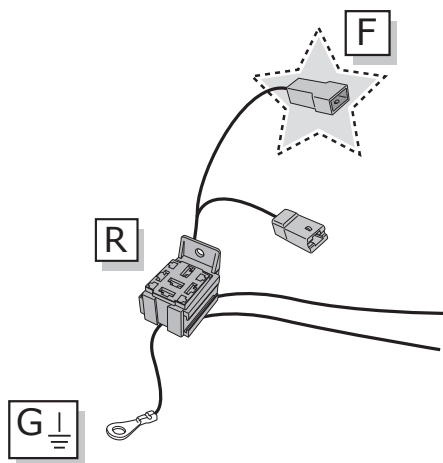


## OPTION SP-161-ZZ



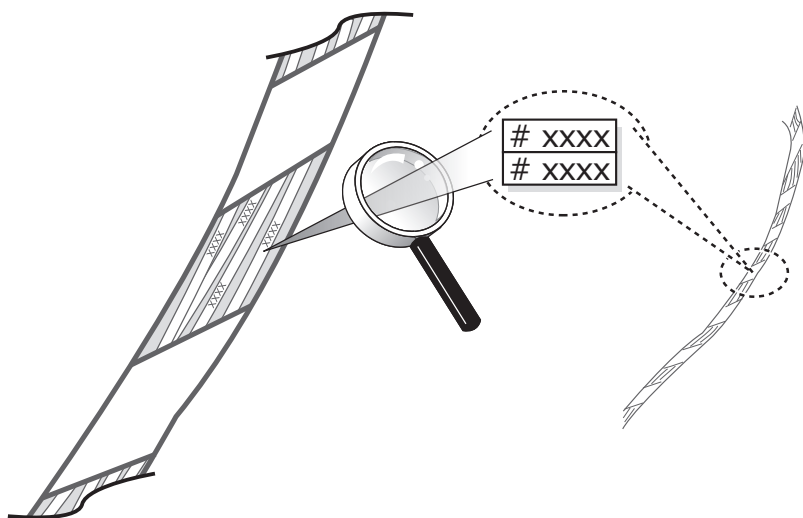
Consult your supplier.

## OPTION SP-161-ZZ INFO



SP-161-ZZ ↔ PE-059-D1U

## OPTION SP-161-ZZ INFO



**MORE INFO:  
MANUAL SP-161-ZZ**

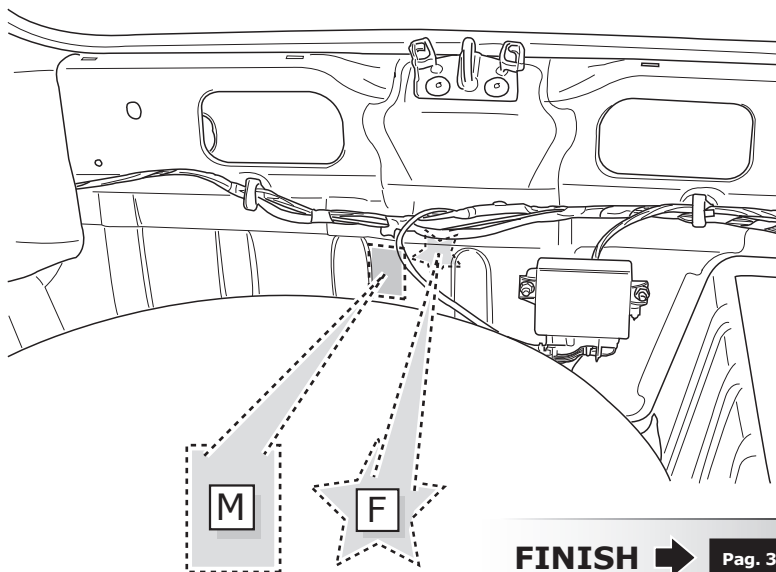
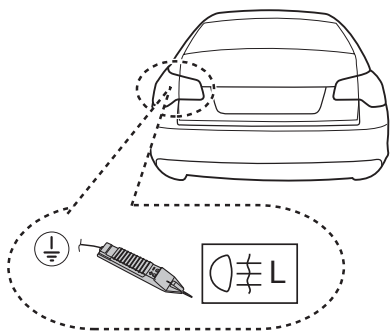
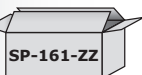
# 7 OPTIONAL

INFO



## OPTION Citroën C4 Hatchback & Coupé

1X

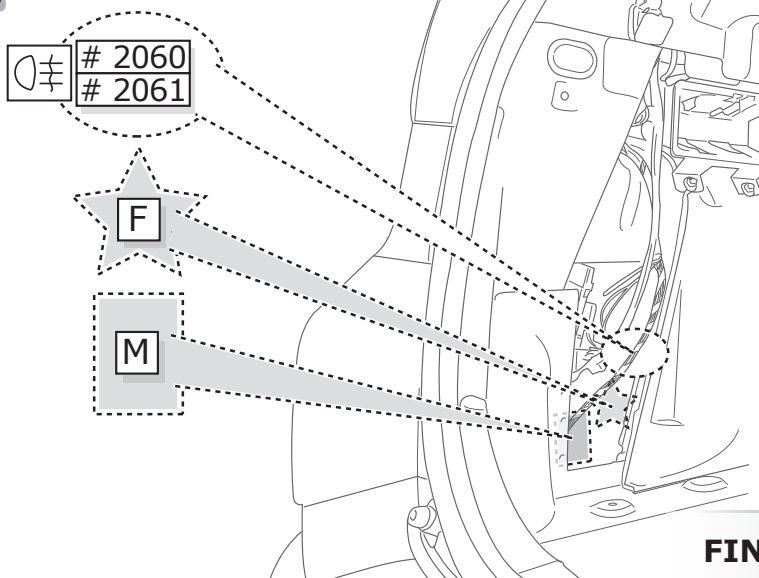
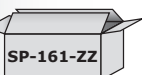


FINISH

Pag. 35

## OPTION Citroën C4 Picasso

2X

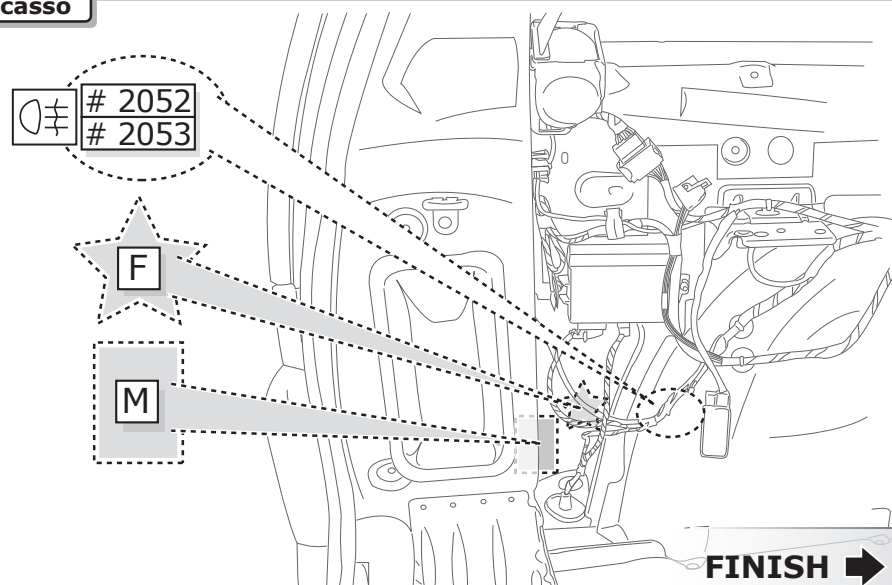
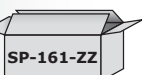


FINISH

Pag. 35

## OPTION Citroën C4 Grand Picasso

2X



FINISH

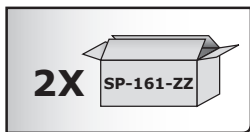
Pag. 35

# 7 OPTIONAL

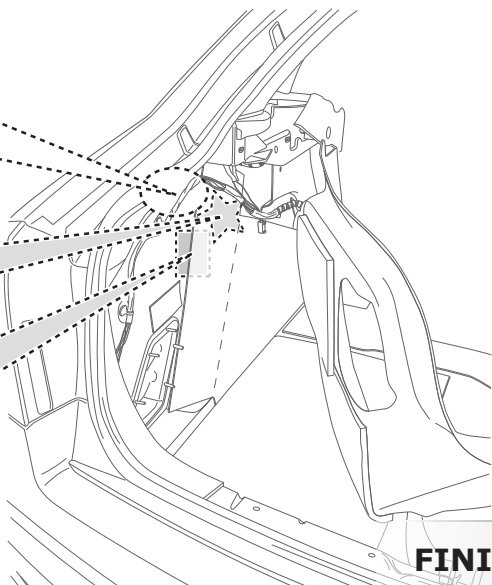
INFO



## OPTION Citroën C5 Hatchback II



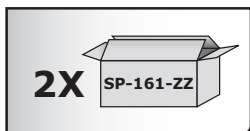
# 201A  
# 201B



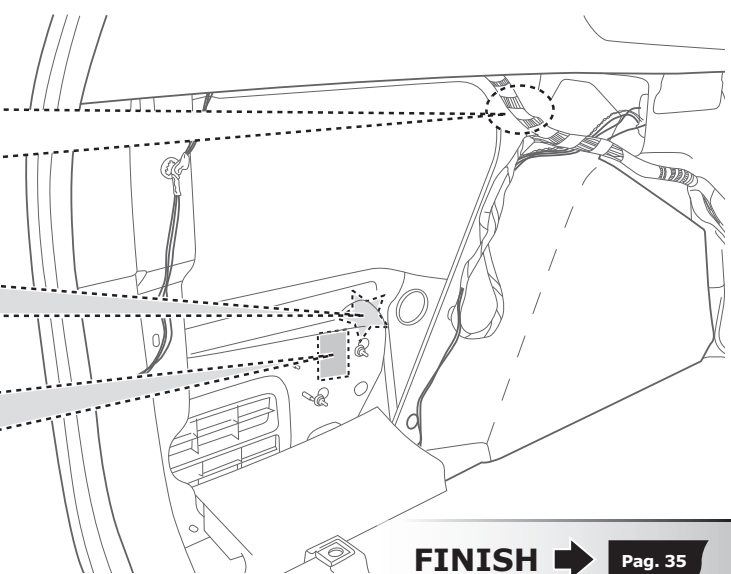
FINISH

Pag. 35

## OPTION Citroën C5 Break II



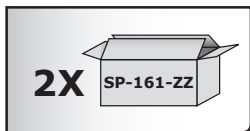
# 289  
# 290



FINISH

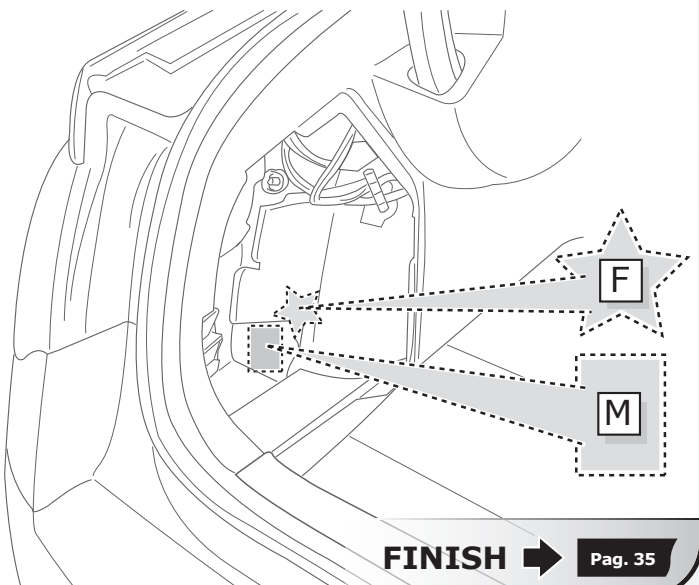
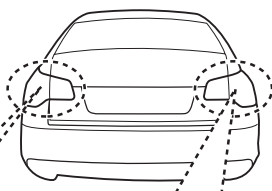
Pag. 35

## OPTION Citroën C5 III & Tourer III



Citroën C5 III # 2052  
Tourer III # 2052k

Citroën C5 III # 2053  
Tourer III # 2053k



FINISH

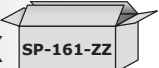
Pag. 35

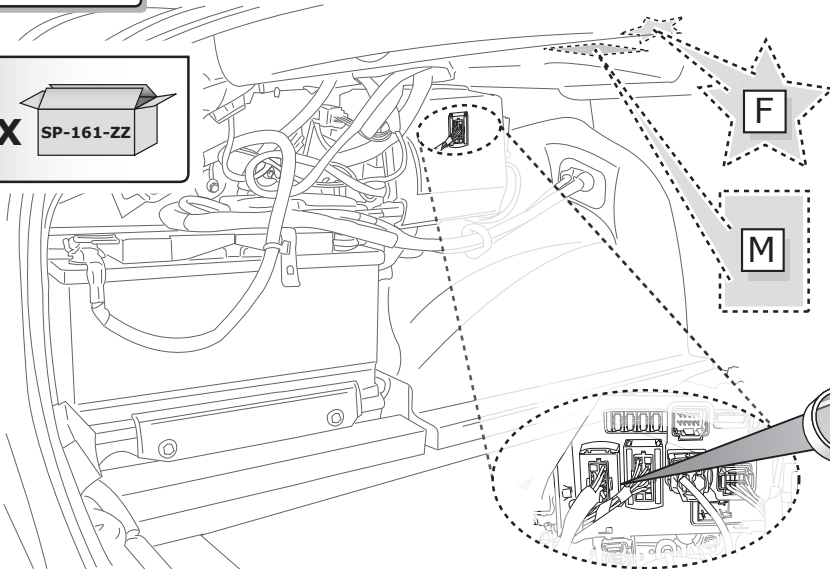
# 7 OPTIONAL

INFO



## OPTION Citroën C6

2X  SP-161-ZZ



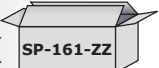
16 Pos.  Black

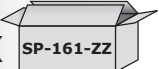
L #2002  White

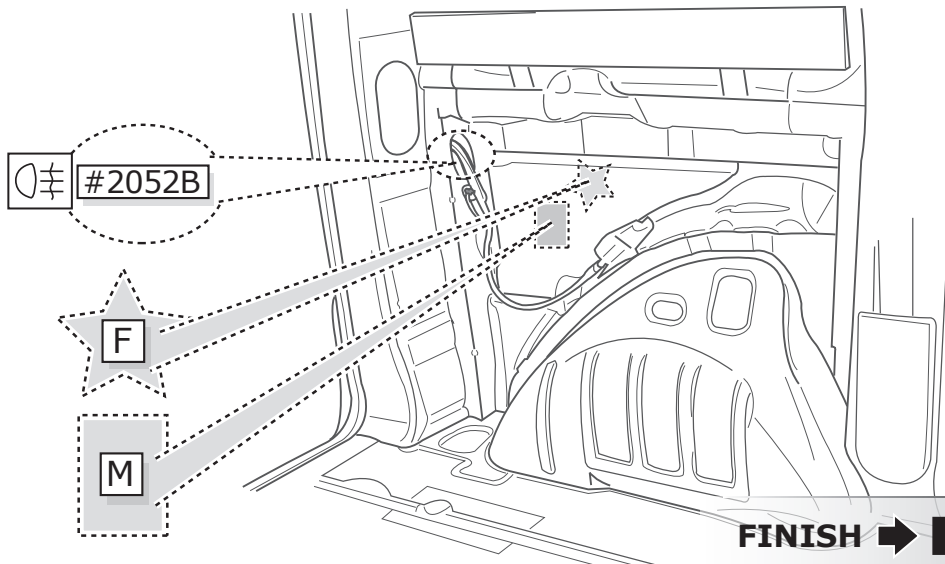
R #2055  White

**FINISH** ➔ **Pag. 35**

## OPTION Peugeot Expert & Citroën Jumpy & Fiat Scudo & Toyota Pro Ace

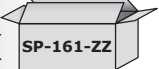
1X  SP-161-ZZ

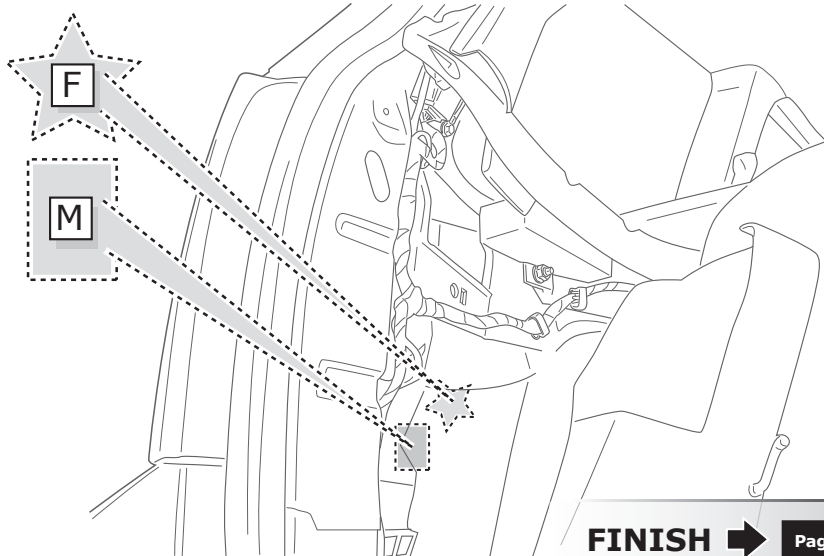
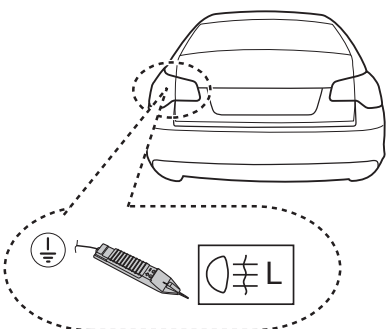
2X  SP-161-ZZ  
Toyota Pro Ace



**FINISH** ➔ **Pag. 35**

## OPTION Peugeot 307 Break & SW

1X  SP-161-ZZ



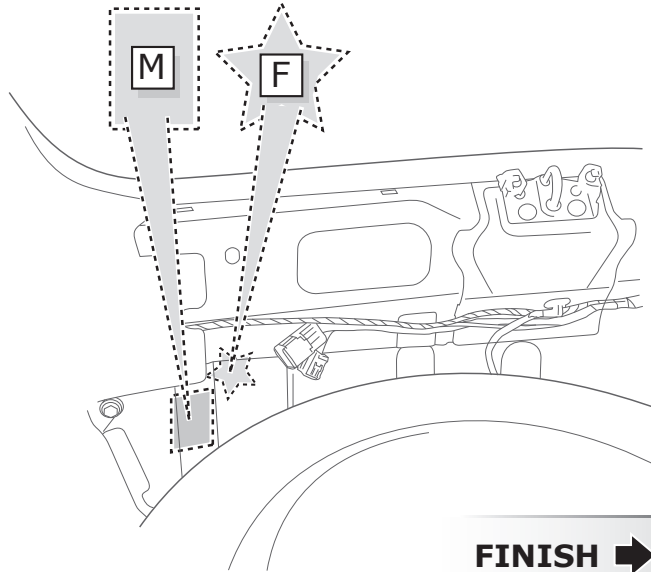
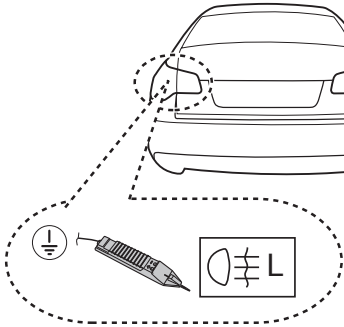
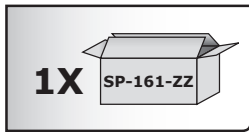
**FINISH** ➔ **Pag. 35**

# 7 OPTIONAL

INFO



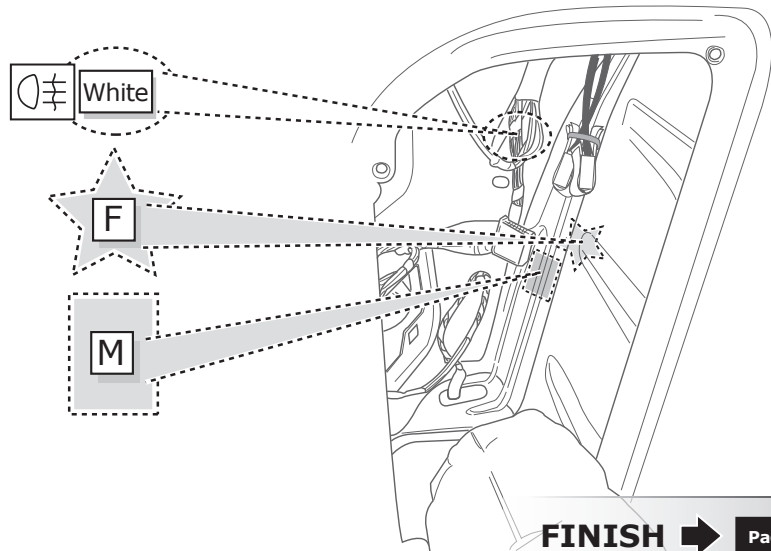
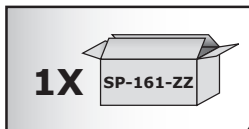
## OPTION Peugeot 307 Hatchback



**FINISH** →

Pag. 35

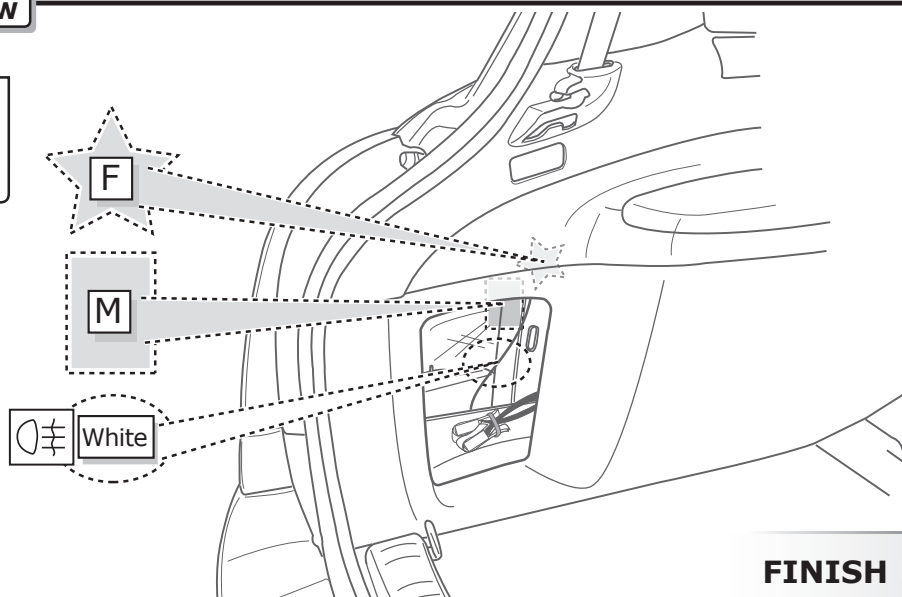
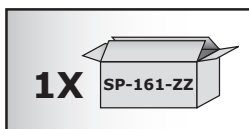
## OPTION Peugeot 308



**FINISH** →

Pag. 35

## OPTION Peugeot 308 SW



**FINISH** →

Pag. 35

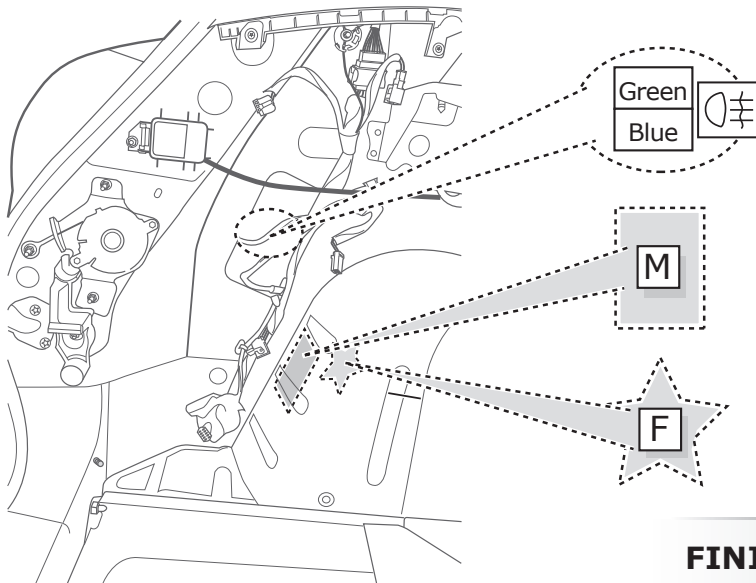
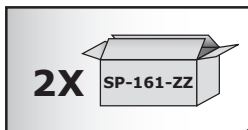


# 7 OPTIONAL

INFO

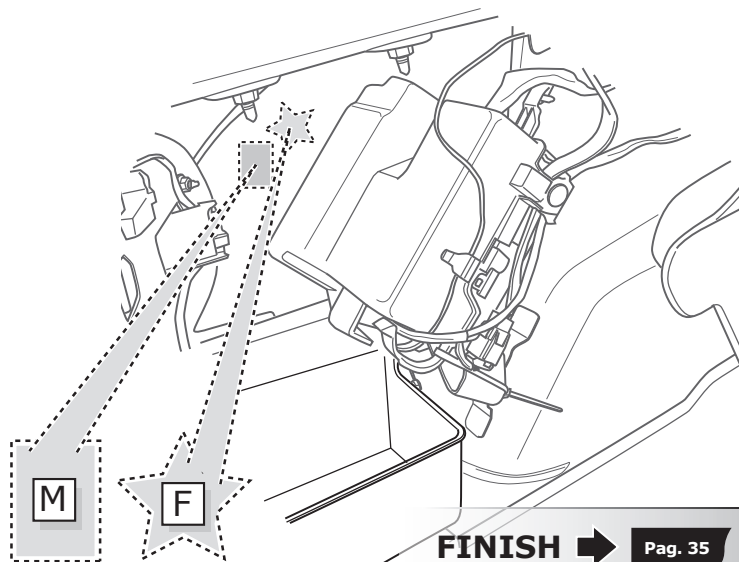
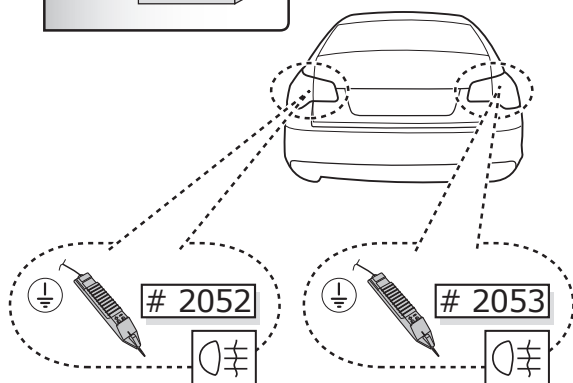
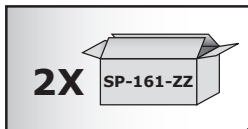


## OPTION Peugeot 3008



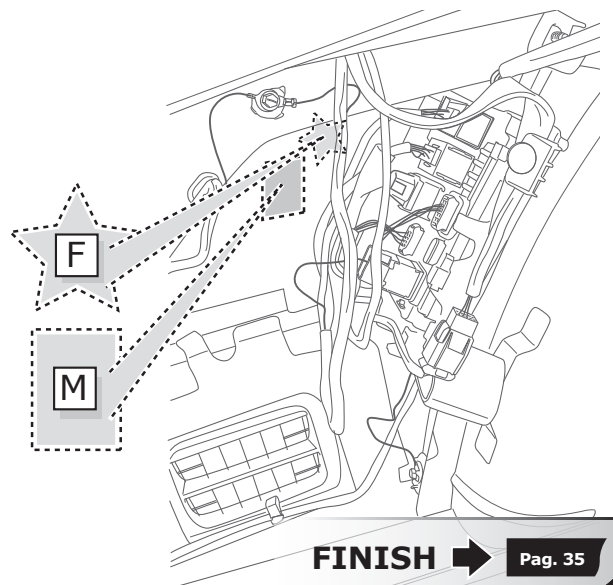
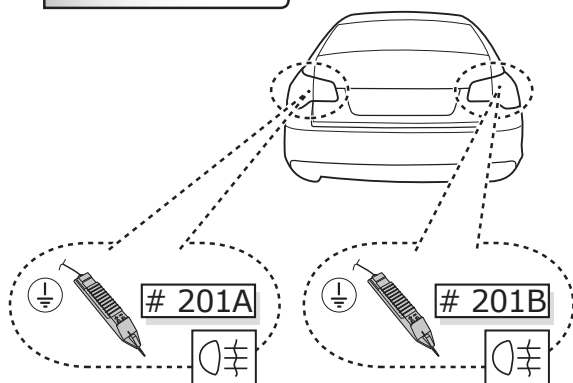
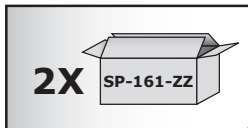
**FINISH** → Pag. 35

## OPTION Peugeot 407 Sedan



**FINISH** → Pag. 35

## OPTION Peugeot 407 SW



**FINISH** → Pag. 35

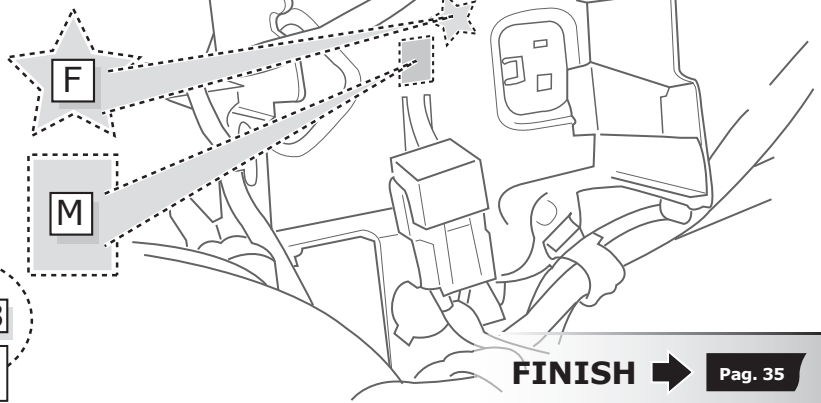
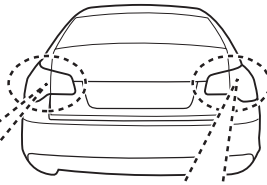
# 7 OPTIONAL

INFO



## OPTION Peugeot 407 Coupé

2X

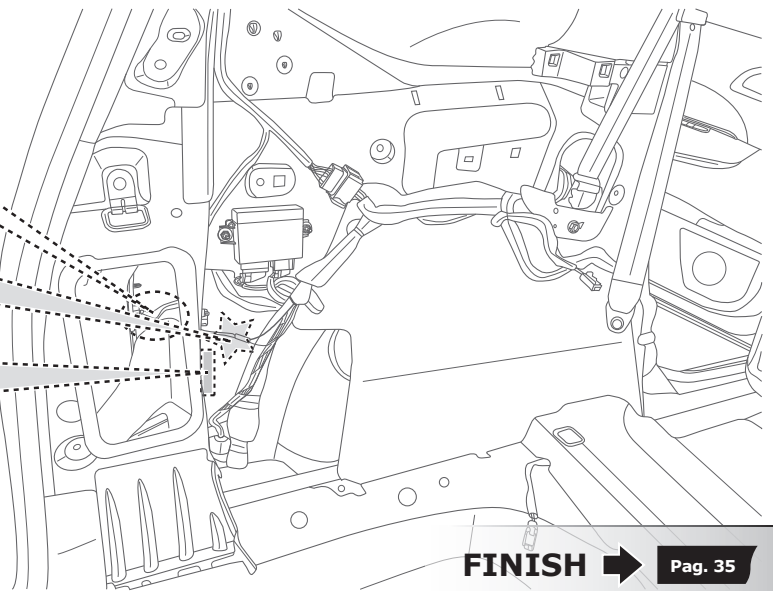
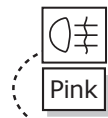
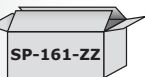


Pag. 35

FINISH

## OPTION Peugeot 5008

1X

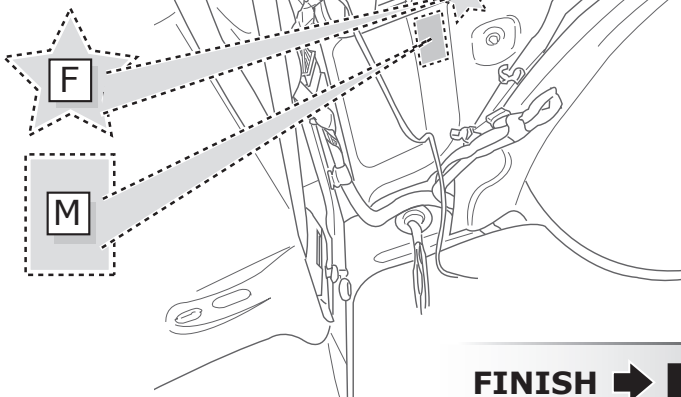
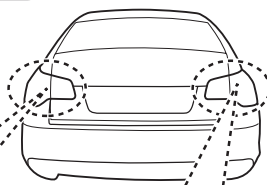
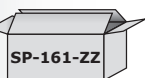


Pag. 35

FINISH

## OPTION Peugeot 807 & Citroën C8 & Fiat Ulysse & Lancia Phedra

2X



Pag. 35

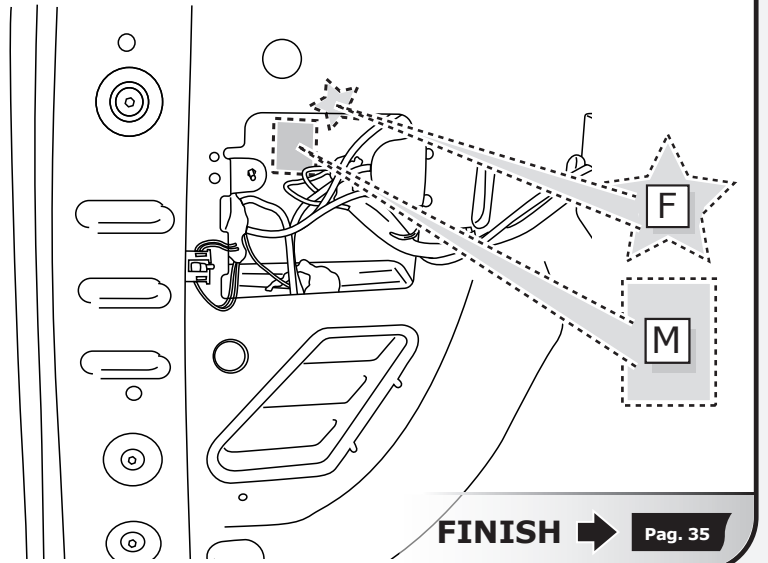
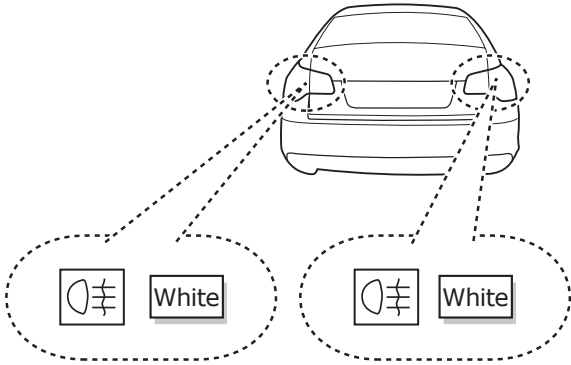
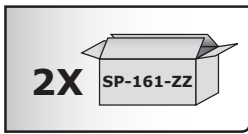
FINISH

# 7 OPTIONAL

INFO



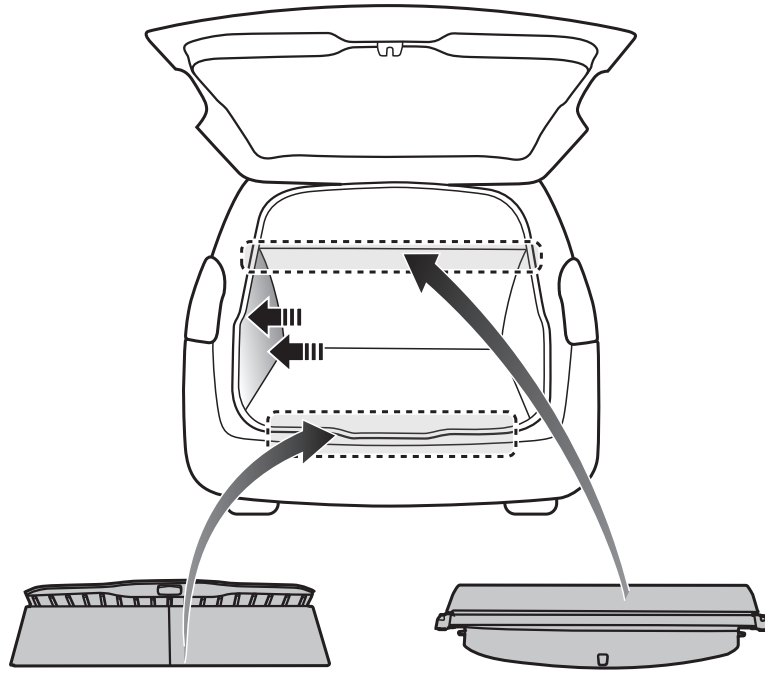
## OPTION Peugeot Partner & Citroën Berlingo



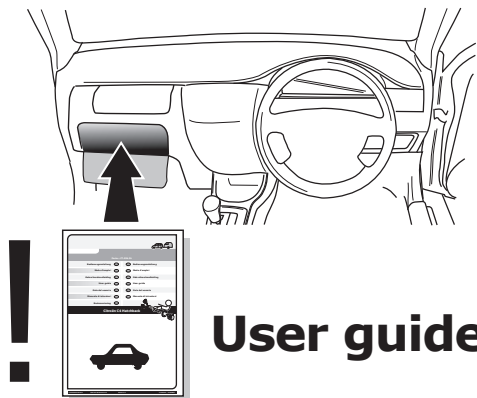
FINISH

Pag. 35

8.1



8.2



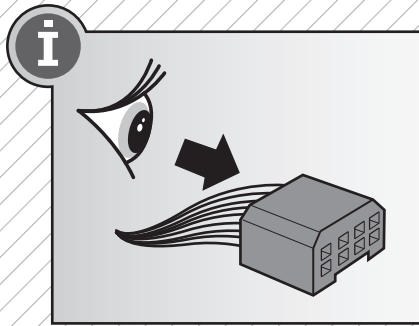
**User guide**

INFO

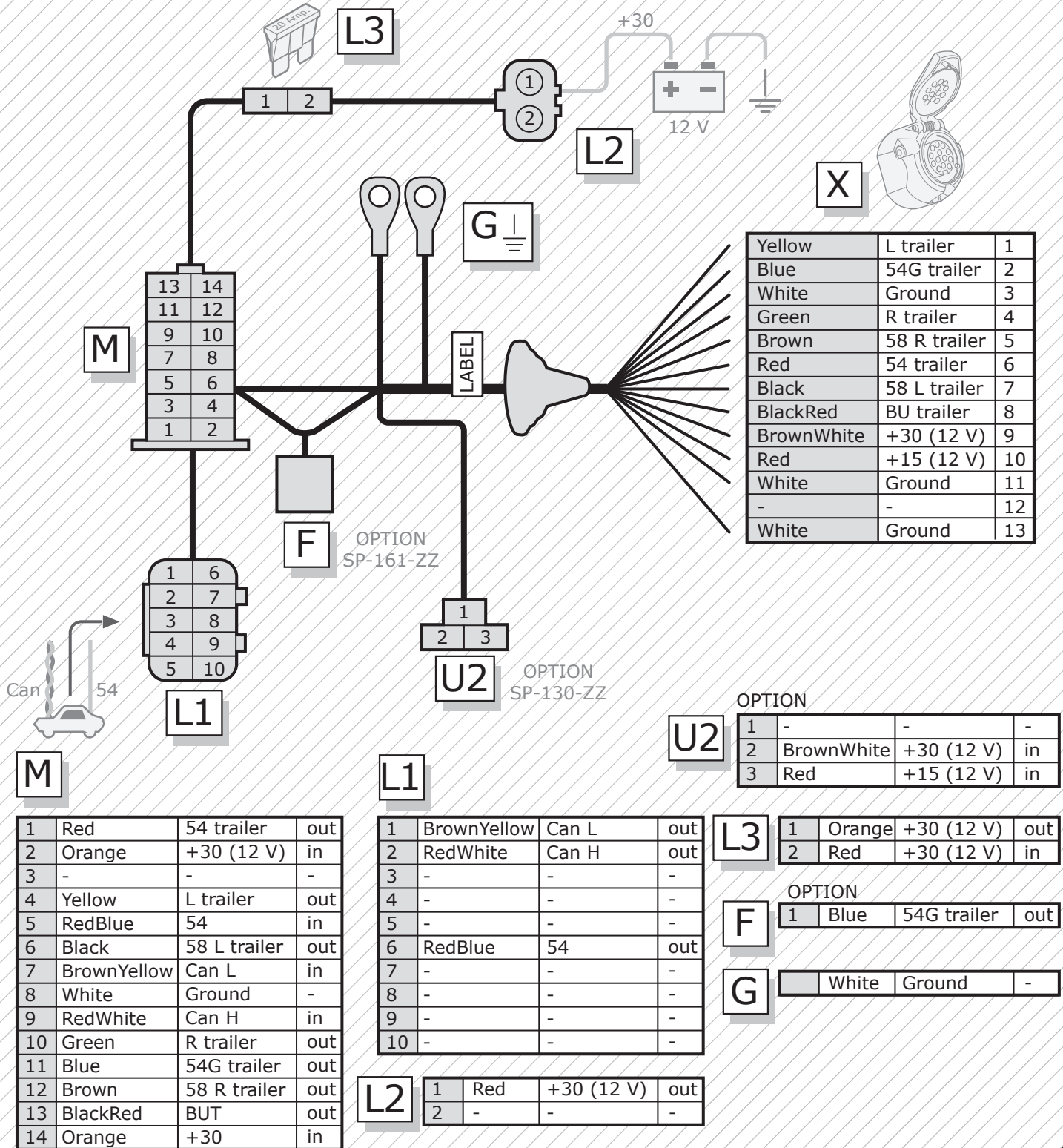


**00800  
22 55 23 27  
CALL2ECS**

Monday - Friday  
08.00am - 11.00am  
12.00am - 05.00pm GMT  
customercare@ecs-electronics.com  
[www.ecs-electronicsuk.co.uk](http://www.ecs-electronicsuk.co.uk)



L	←	54	STOP
R	→	54G	⊘
58L	⊙	BU	⊕ <sub>R</sub>
58R	⊙	Ground/31	⊥



Yellow	L trailer	1
Blue	54G trailer	2
White	Ground	3
Green	R trailer	4
Brown	58 R trailer	5
Red	54 trailer	6
Black	58 L trailer	7
BlackRed	BU trailer	8
BrownWhite	+30 (12 V)	9
Red	+15 (12 V)	10
White	Ground	11
-	-	12
White	Ground	13

1	Red	54 trailer	out
2	Orange	+30 (12 V)	in
3	-	-	-
4	Yellow	L trailer	out
5	RedBlue	54	in
6	Black	58 L trailer	out
7	BrownYellow	Can L	in
8	White	Ground	-
9	RedWhite	Can H	in
10	Green	R trailer	out
11	Blue	54G trailer	out
12	Brown	58 R trailer	out
13	BlackRed	BUT	out
14	Orange	+30	in

1	BrownYellow	Can L	out
2	RedWhite	Can H	out
3	-	-	-
4	-	-	-
5	-	-	-
6	RedBlue	54	out
7	-	-	-
8	-	-	-
9	-	-	-
10	-	-	-

1	Red	+30 (12 V)	out
2	-	-	-

OPTION

1	-	-	-
2	BrownWhite	+30 (12 V)	in
3	Red	+15 (12 V)	in

L3

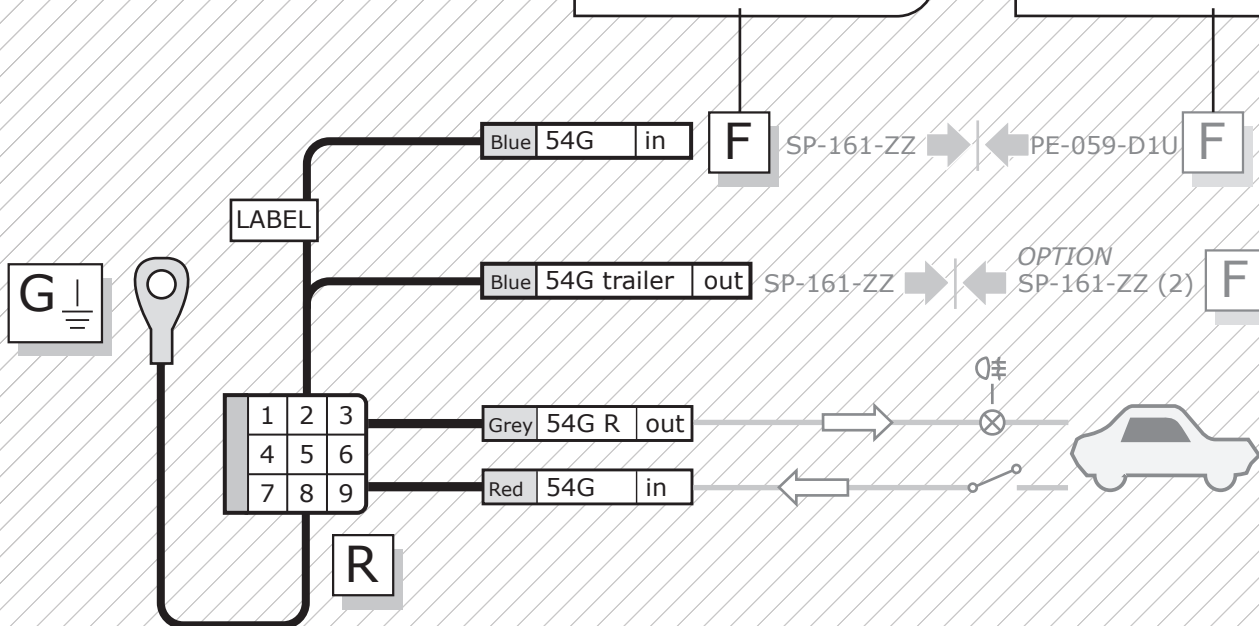
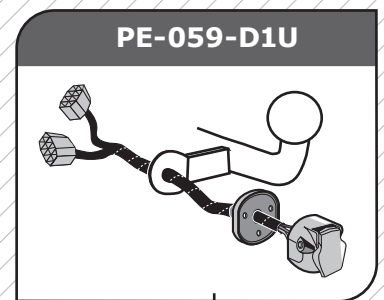
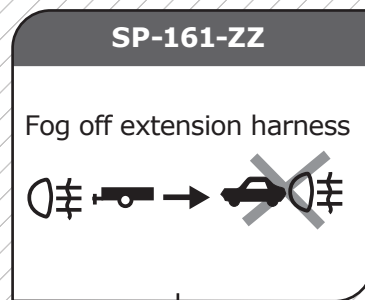
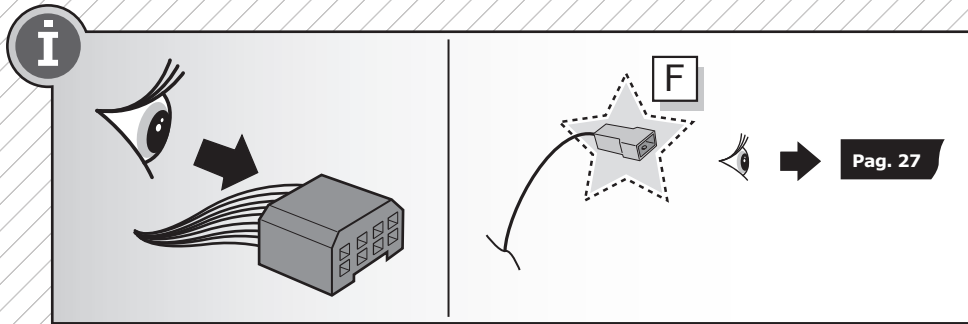
1	Orange	+30 (12 V)	out
2	Red	+30 (12 V)	in

OPTION

1	Blue	54G trailer	out
---	------	-------------	-----

G

White	Ground	-
-------	--------	---



**R**

1	-	-	-
2	Blue	54 G $\text{Q}\neq$ trailer	in
	Blue	54 G $\text{Q}\neq$ trailer	out
3	-	-	-
4	-	-	-
5	Grey	54G R $\text{Q}\neq$	out
6	Red	54G	in
7	-	-	-
8	White	Ground $\perp$	-
9			

## SOCKET CONNECTION

DIN/ISO 11446													
	1/L	2	3/31	4/R	5/58-R	6/54	7/58-L	8	9	10	11	12	13
Pmax	21W	21W		21W	42W	3x21W	42W	21W	180W/15Amp	180W/15Amp			
Colour	Yellow	Blue	White	Green	Brown	Red 1,00 mm <sup>2</sup>	Black	Black/ Red	Brown/ White	Red 2,50 mm <sup>2</sup>	White	-	White