

Right Connections

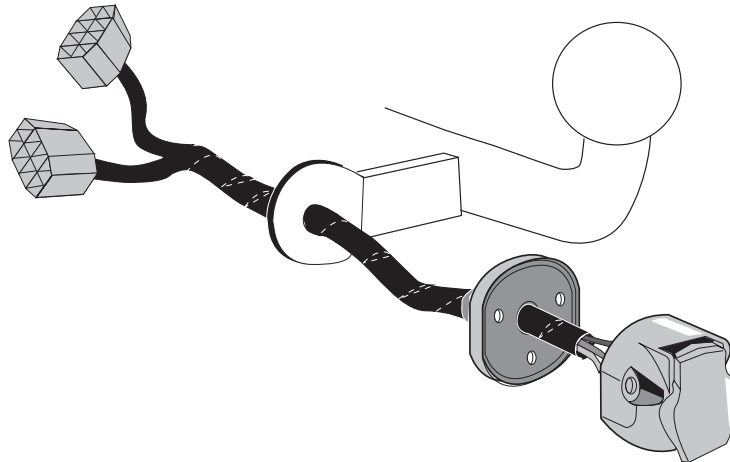
towbar wiring kits for the uk

HYUNDAI For vehicles with prepared CAN connector

I30	10/2018 >>
I30 N	10/2018 >>
I30 Wagon	10/2018 >>
I30 Fastback	10/2018 >>
I30 Fastback N	01/2019 >>
Kona HEV	09/2019 >>

Part No: HY-153-13M

Electric wiring kit for towbars / 13-pin / 12 Volt / ISO 11446 Fitting instructions



IMPORTANT!

This electric kit has to be installed by a professional workshop or a suitable qualified person.

The installation instructions must have been read and fully understood before the start of any installation. Please contact your wiring kit provider or the hotline shown in the footer should you need assistance!

Make sure the vehicle is approved/homologated by the manufacturer to tow a trailer!

Also please check that there is a definite compatibility between this vehicle and the electric kit!

Following the installation of the electric kit, the fitting instructions should be kept together with the vehicle service document and vehicle handbook. The fitting instructions contain important information relating to the use and function of the towing kit as well as for any diagnostic or activation process, that might have to be repeated in the future (e.g. after the performance of a vehicle software update).

All warranty claims will be forfeited if the electric kit or components contained therein are used incorrectly or modified. If a towing socket adaptor has been used to connect to the trailer or bike rack, this must be removed from the trailer socket once the trailer or bike rack has been disconnected.

If the trailer or bike rack is not equipped with a rear fog lamp, depending on the towing vehicle type, the correct function of the towing kit cannot be guaranteed. In such cases, a rear fog lamp should be retro fitted.

This towing electric kit will not be covered under warranty if any technical or electrical modifications or software updates have been performed by the vehicle manufacturer after the initial commissioning of the kit. That applies especially to modifications or updates which may cause malfunctions in the trailer socket or any other part of the trailer electrical equipment!

Depending on the type of trailer module used in this electric kit, diagnostic interrogation with the vehicle's electrical system may be limited or will not function. The error memory inside the trailer module may not be able to be accessed by vehicle manufacturers diagnostic system.

Error logs relating to the trailer electrical equipment, that may be generated in the vehicle manufacturers diagnostic system as a result of a test procedure, may be due to the incorrect installation of the towing electric kit or the false activation of the trailer module.

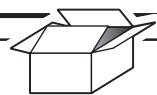
We always recommend whenever possible, the following troubleshooting process:

- An analysis of the vehicle's error memory and possibly clearing of all faults before the start of the installation!
- Try disconnecting the trailer module from the towing harness and re-start the fault clearing process!
- If in doubt, limit the time for troubleshooting to a max of 0,5 hours and call our Technical Support Team!

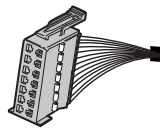
Please follow our instructions carefully and always test the towing electrics using a true lighting board or a specifically designed bulb tester. If an LED tester is used, ensure it is equipped with correct load resistors or malfunctions will occur!

This instruction is subject to changes and we reserve the right to make changes to design, colour etc.

All of the data and illustrations may not be an exact representation but the text contained in this instruction must be observed!



M1

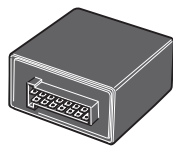
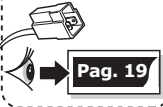


U3



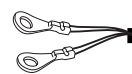
U4

* Optional

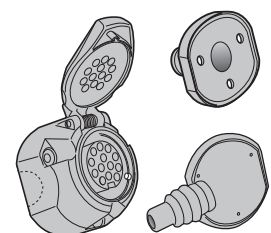


M

G I



X

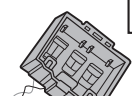


15x



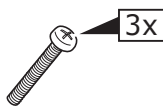
U2

L



U1

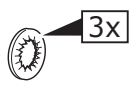
U



3x



3x



3x



1x



1x



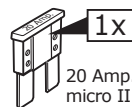
1x

15 Amp.
mini fuse



1x

20 Amp.
mini fuse



1x

20 Amp.
micro II



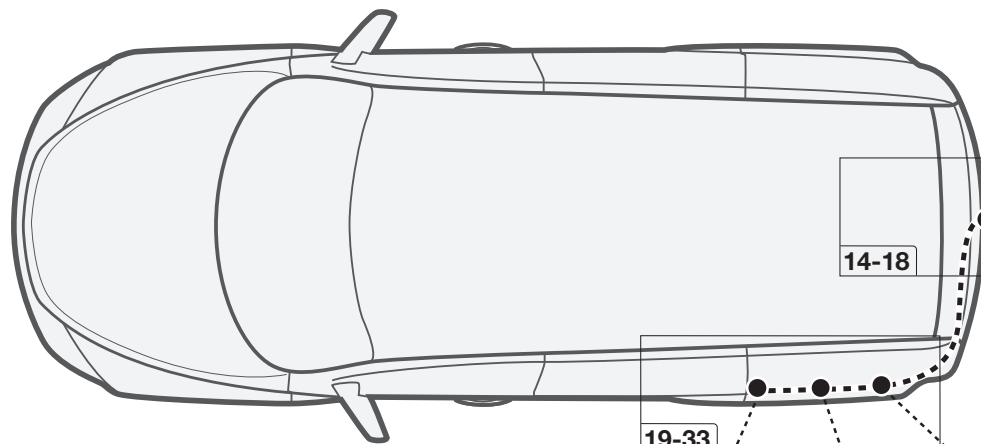
2x

U6



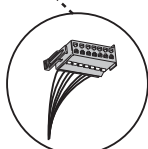
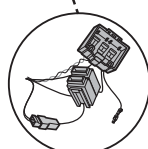
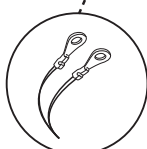
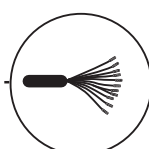
1x

U5



14-18

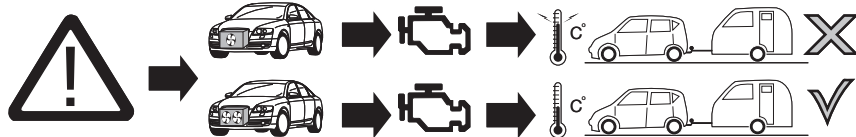
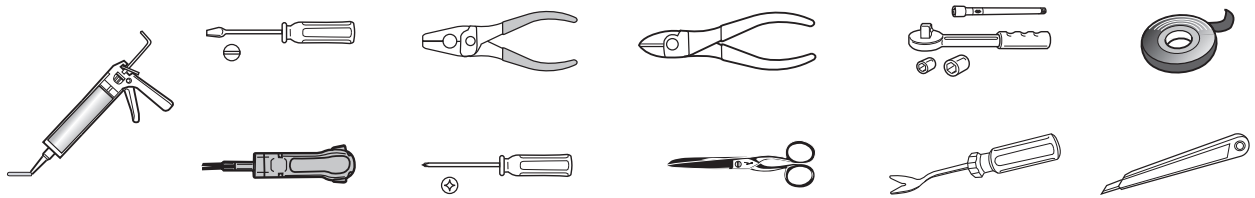
19-33



SYMBOL EXPLANATION

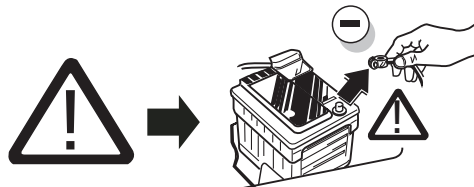
	Left (58-L) respectively Right (58-R) tail light		Cigarette lighter / accessory socket
54	Stop light (54) / high mounted, third stop light (54)		Loudspeaker / buzzer
	Turn signal indicator left		Park Distance Control
	Turn signal indicator right		Switch / source of function
	Rear fog light(s)		Connect together
	Reversing light(s)		Disconnect
	Permanent power supply / 13pin socket, chamber 9		Look at / See further information
	Charging wire for trailer battery / 13pin socket, chamber 10		Look carefully at selected area
	Trailer / trailer recognition		Present / Occupied / OK
B+ / 30	Permanent current power supply		Not present / Not occupied / Not OK
	Ground or Earth (31)		Acoustic indication
	Ground connection battery terminal lug		Attention / important advice
	Positive connection battery terminal lug		Fuse / fuse capacity 20 Ampère

TOOLS



ATTENTION!

The vehicle's cooling capacity may have to be increased when retrofitting a trailer coupling! You must observe the manufacturer's instructions!!



Note: It may be necessary to check if this vehicle has a stored radio code before disconnecting the battery!



ATTENTION!

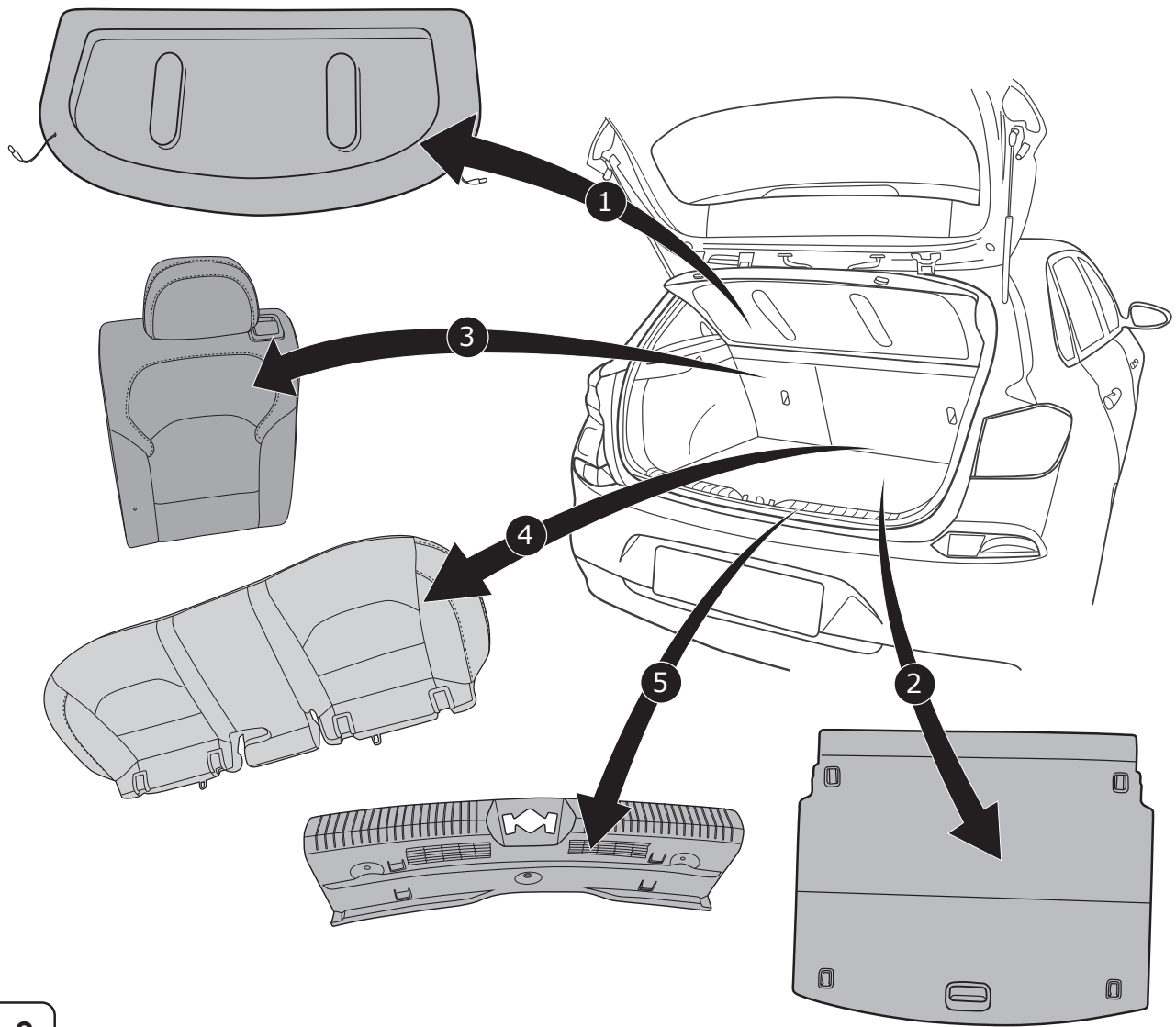
In order to avoid mal-functions and damage to the vehicle's electrical system the earth terminal **must be disconnected** from the vehicle's battery **before starting work!**

Both the trailer module and the vehicle's control unit for the electrical system can be damaged during work on the data bus connections if the battery is not disconnected!

1

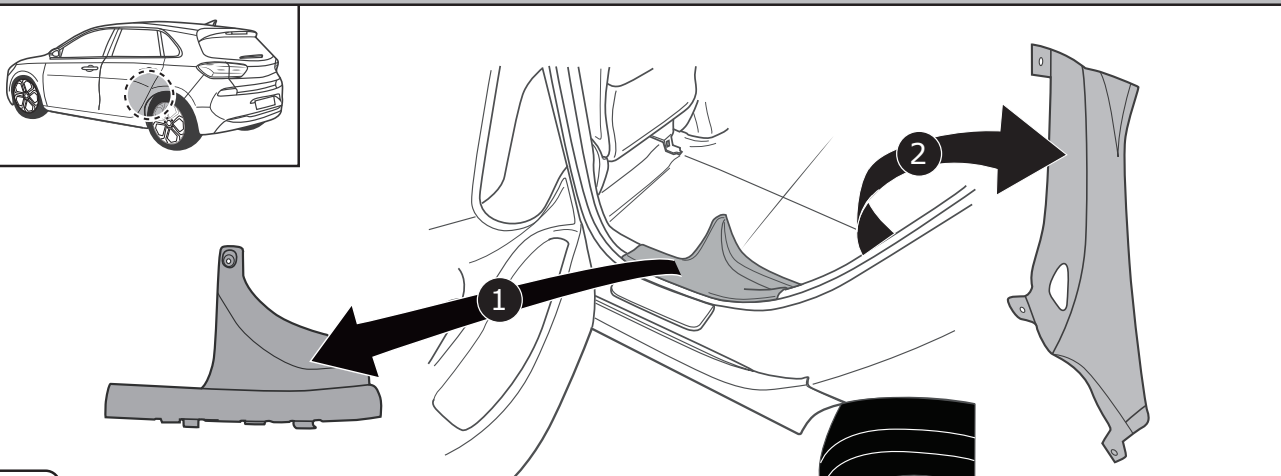
Please pay attention to the manufacturer's instructions when disconnecting and reconnecting the vehicle's battery!

I30 / I30 N



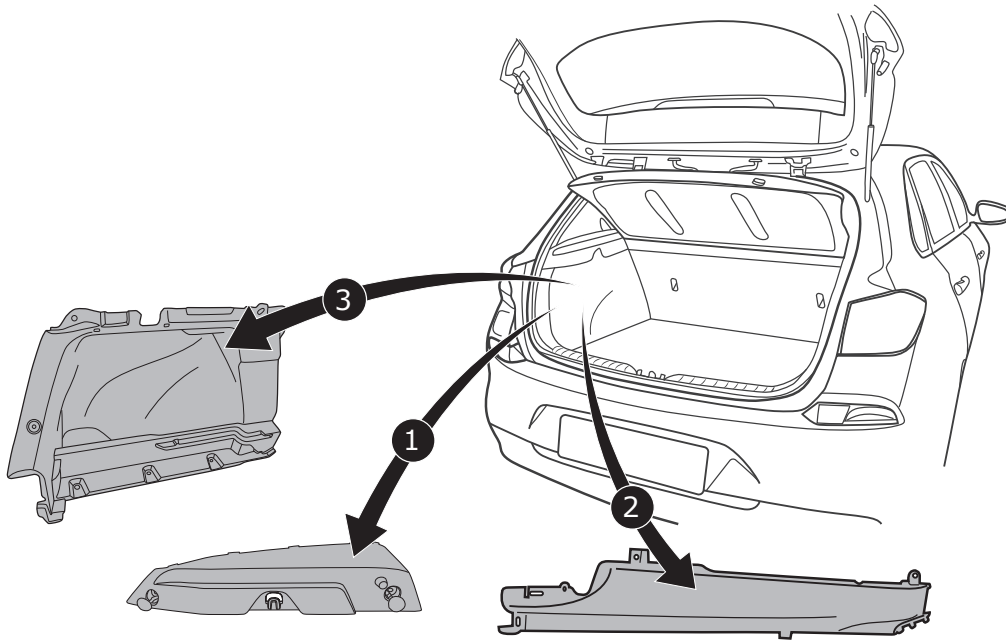
2

I30 / I30 N



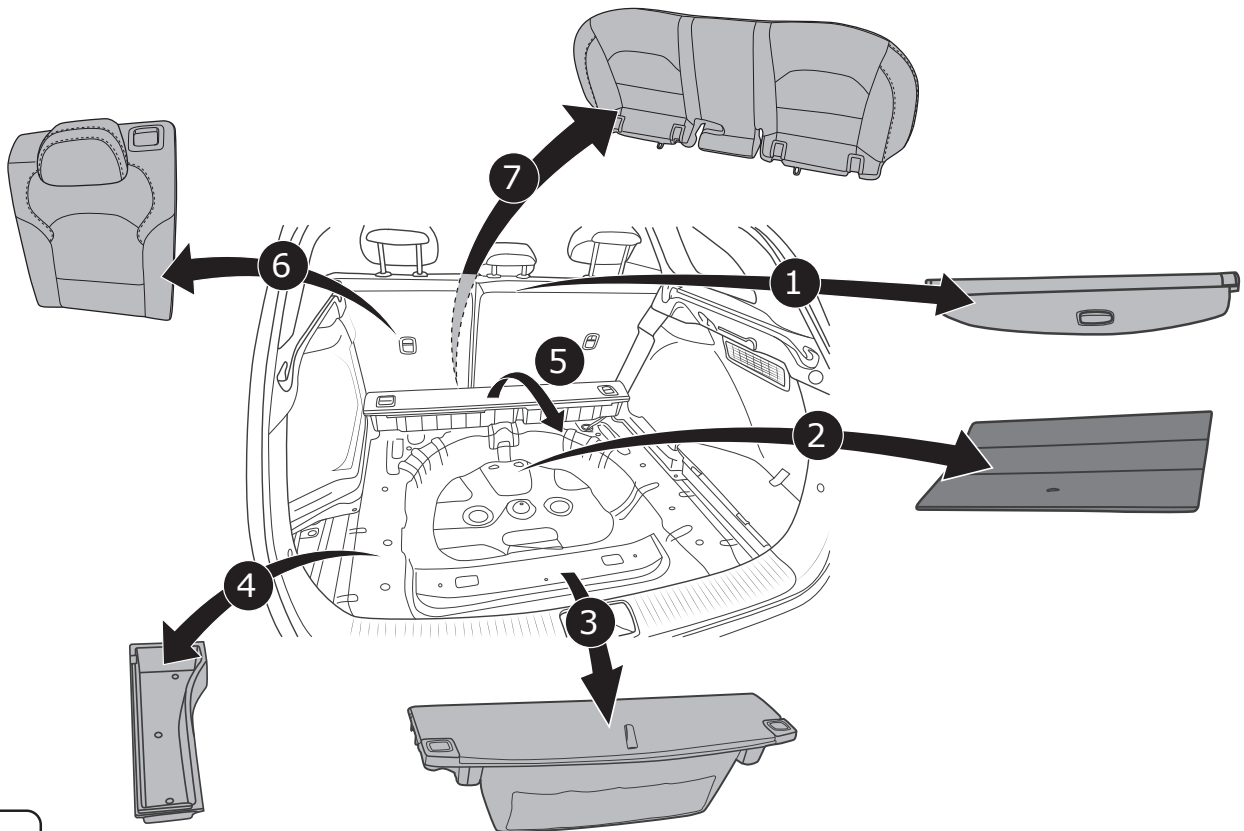
3

I30 / I30 N



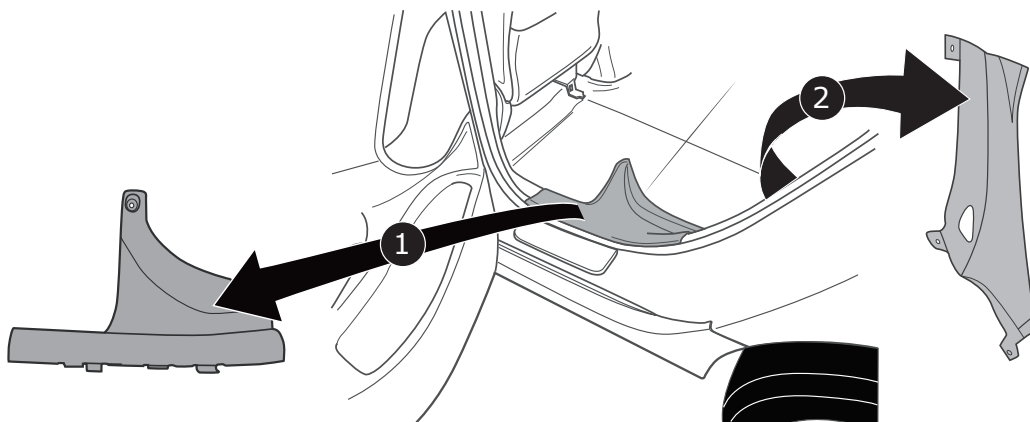
4

I30 Wagon



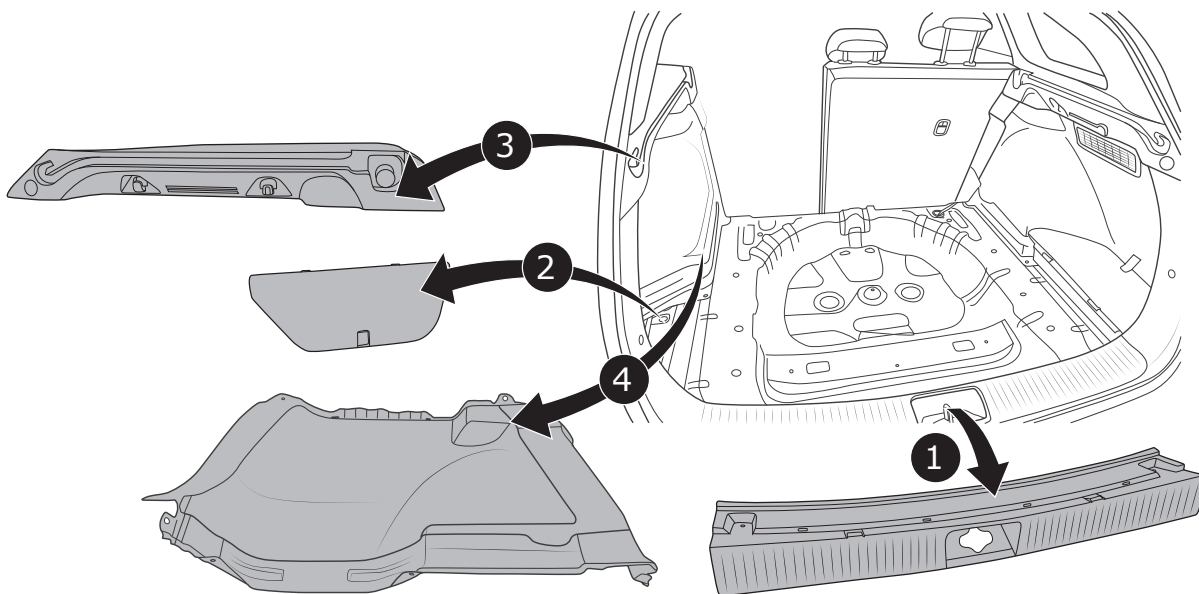
5

I30 Wagon

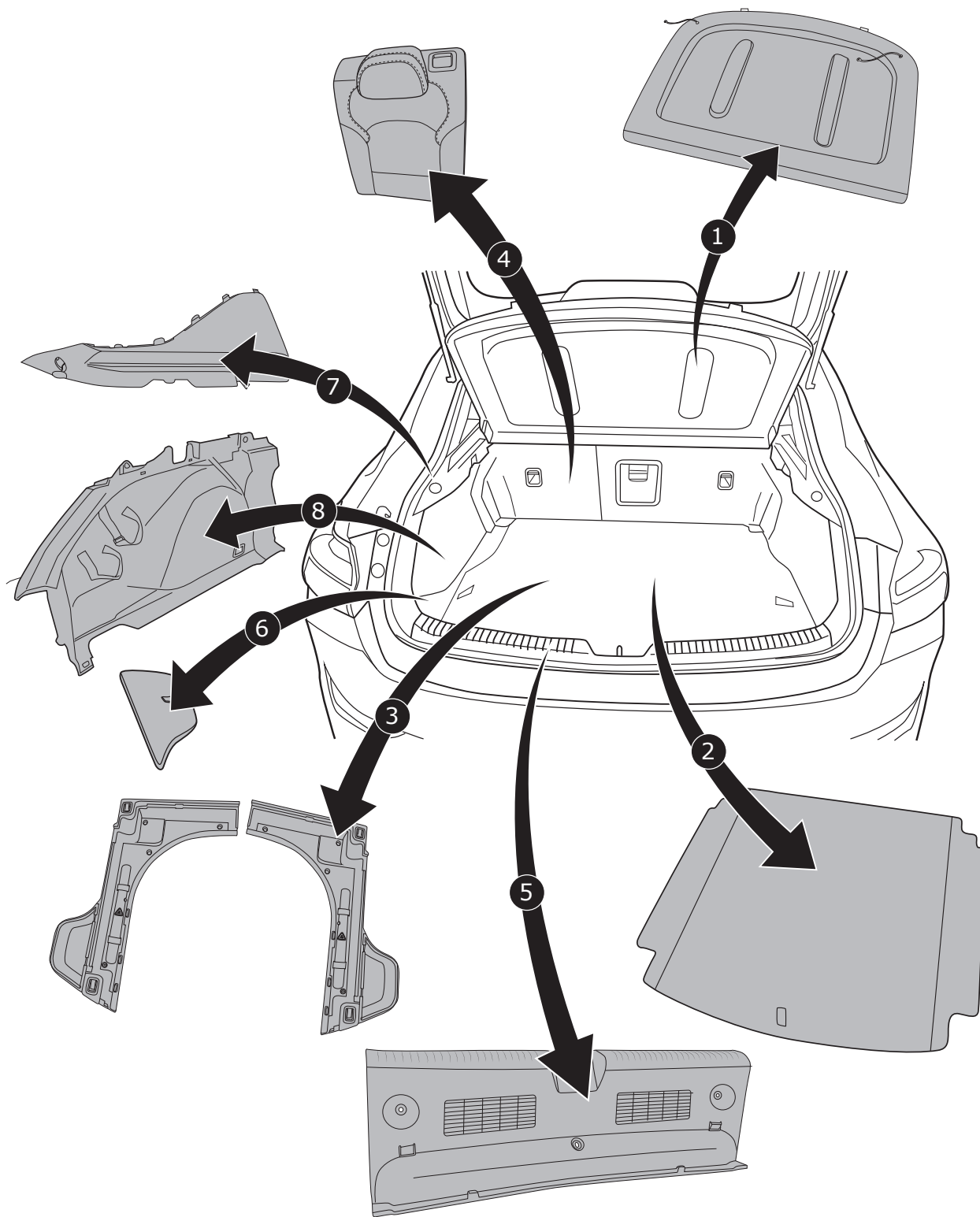


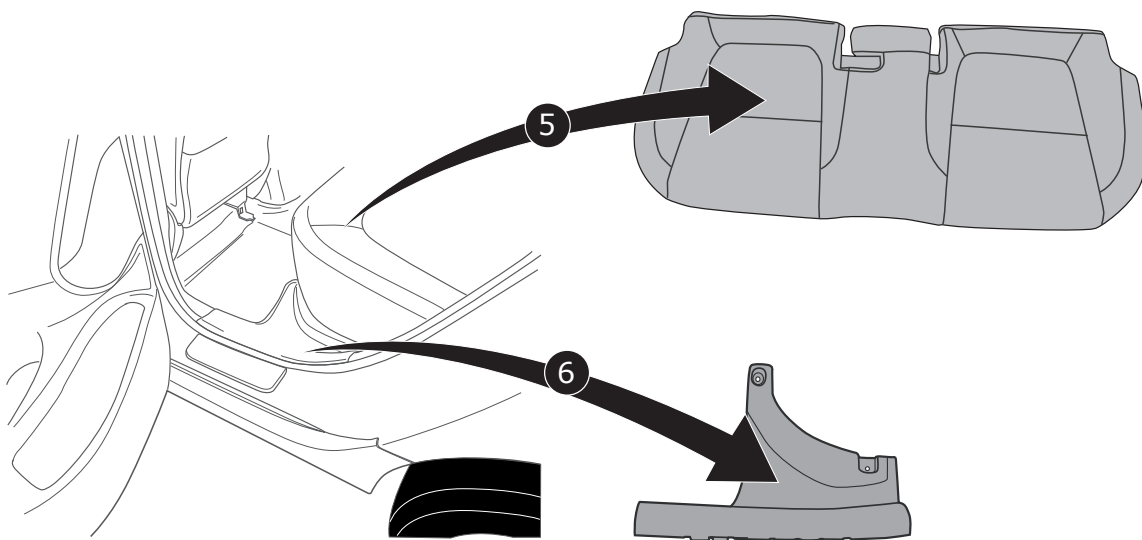
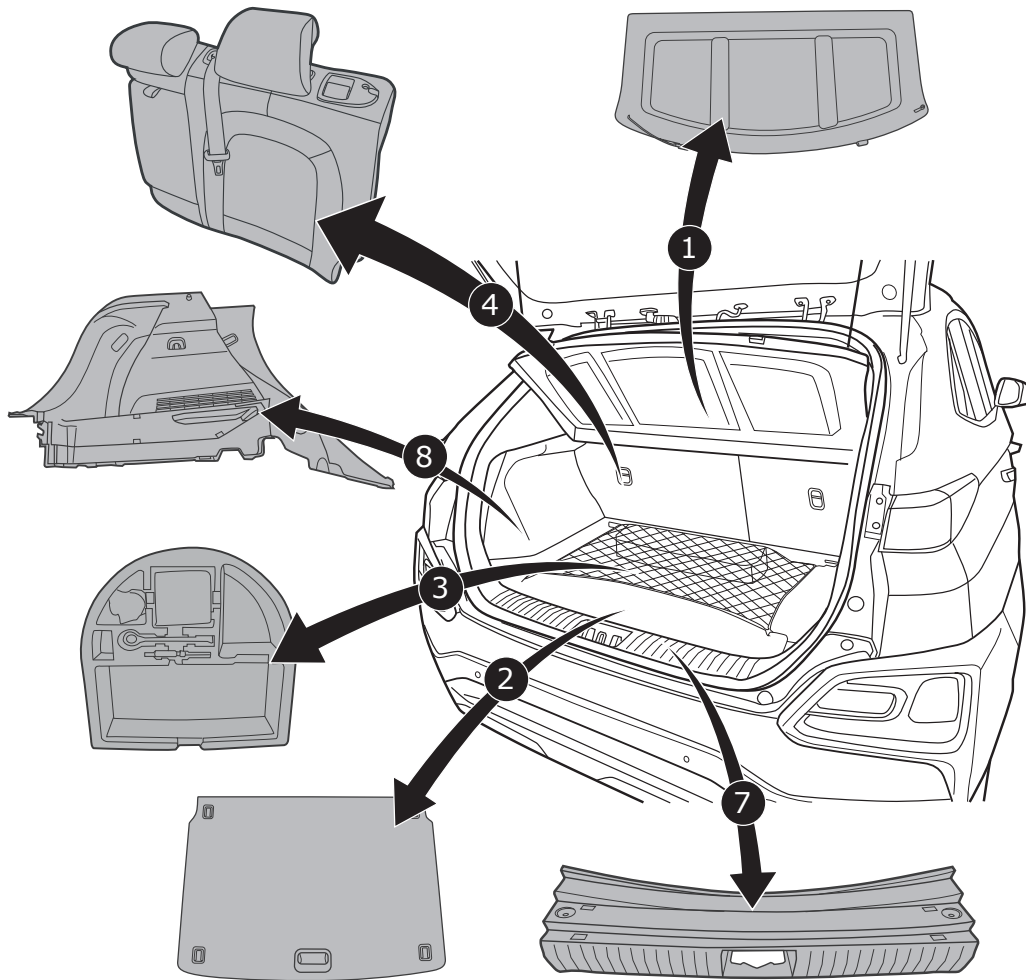
6

I30 Wagon



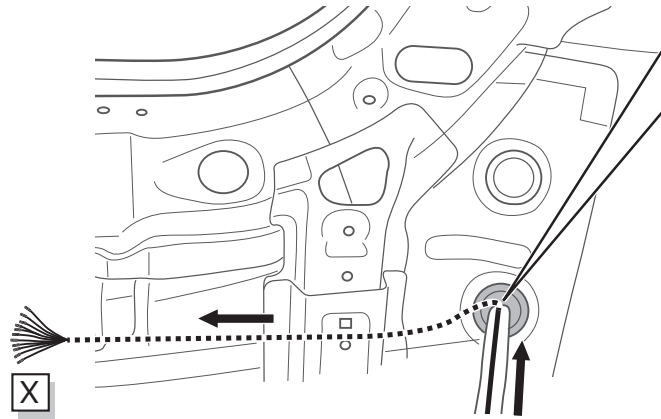
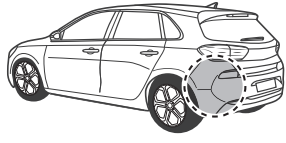
7





9

I30 / I30 N



10

Remove tape.

1

X

2

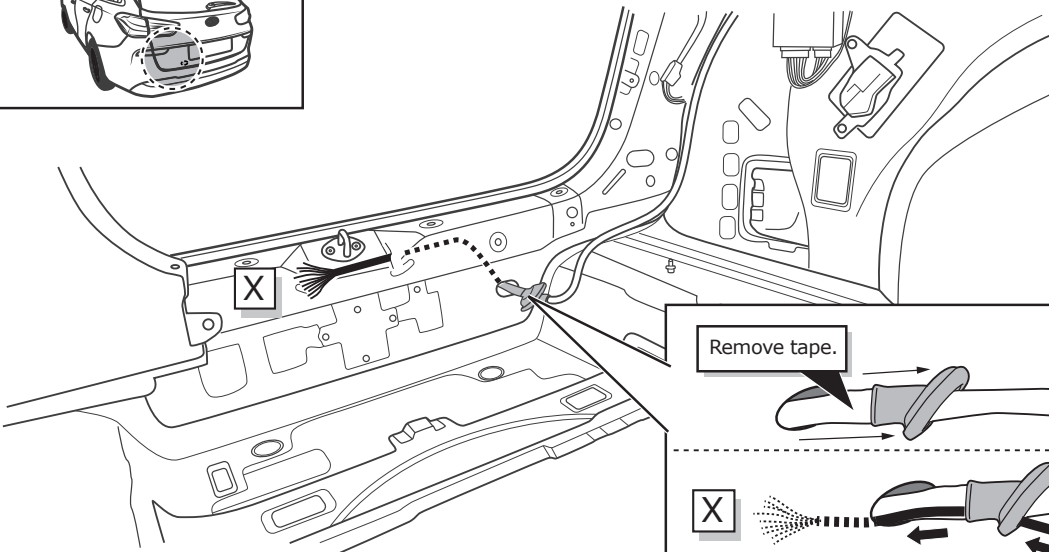
X

3

4

SEAL WITH SILICONE.

I30 Wagon



11

Remove tape.

1

X

2

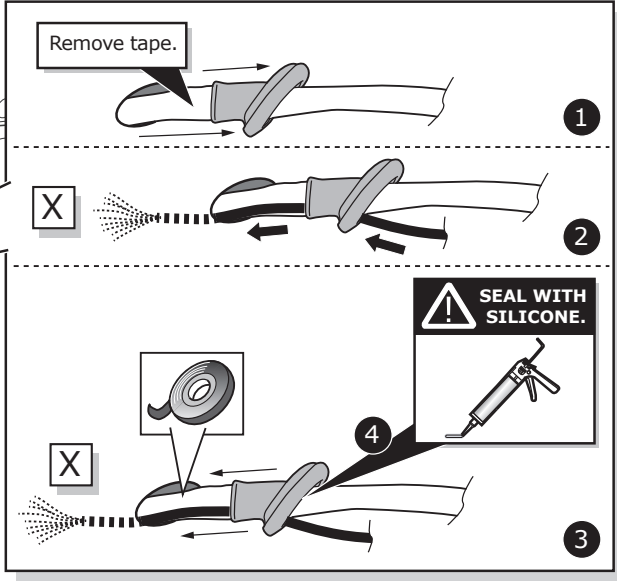
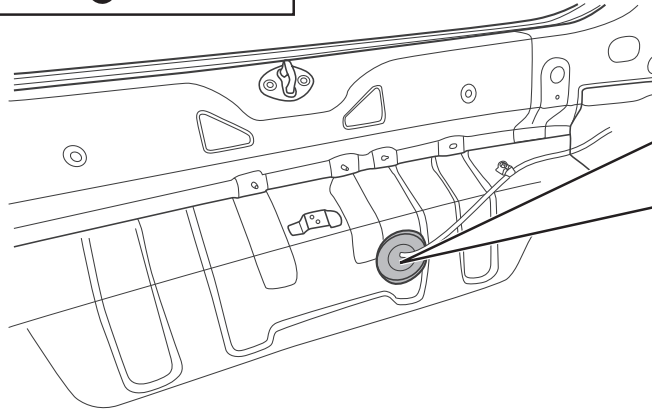
X

3

4

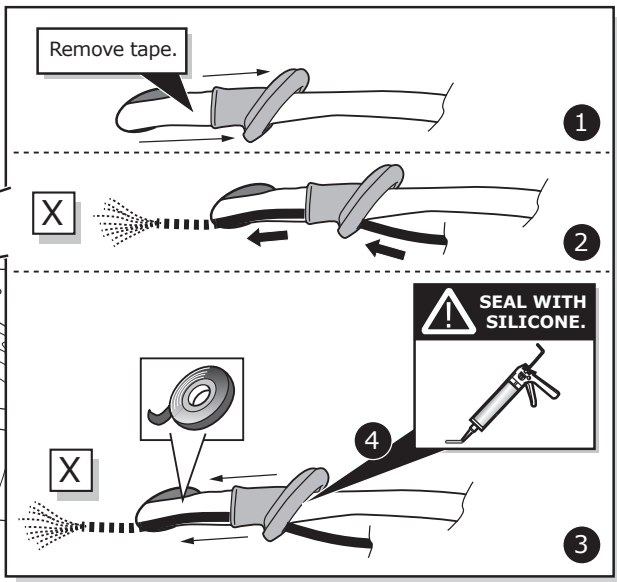
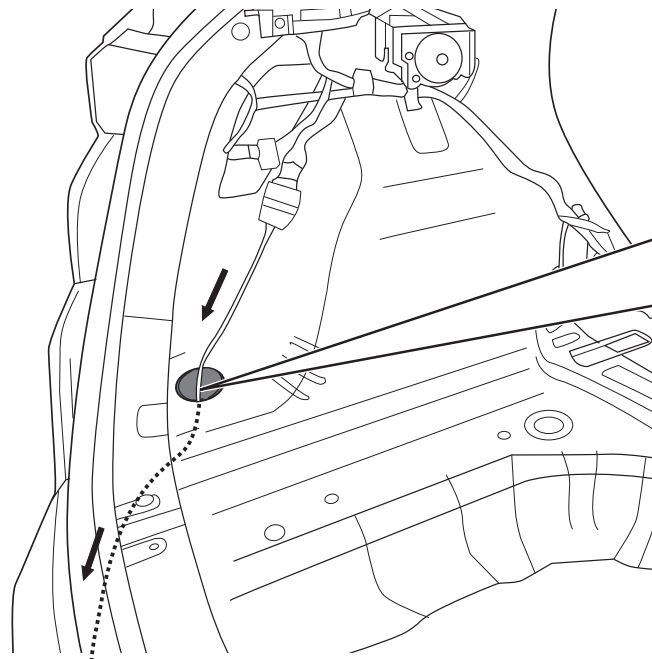
SEAL WITH SILICONE.

I30 Fastback / I30 Fastback N



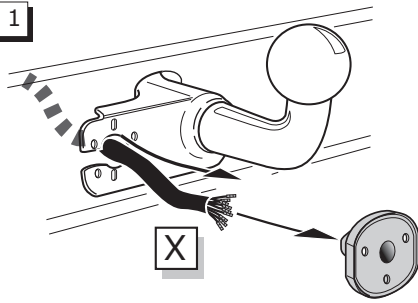
12

Kona HEV



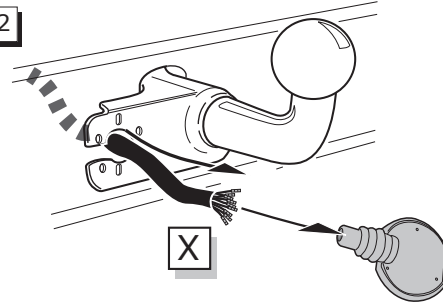
13

Option 1



14

Option 2

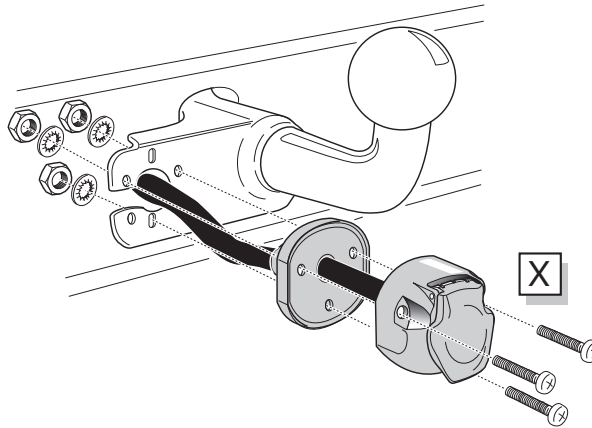


SOCKET CONNECTION

DIN/ISO 11446	⊥L	⊘#	⊘# → ⊘#	⊥ 1-8	R ⊃	☀	⊘(STOP)	☀	Reverse 0	30°	15°	⊥ 10	—	⊥ 9
	1/L	2	2a	3/31	4/R	5/58-R	6/54	7/58-L	8	9	10	11	12	13
Pmax	21W	21W			21W	42W	3x21W	42W	21W	180W	180W			
Colour	Yellow	Blue	Blue/Black	White	Green	Brown	Red	Black	Pink	Orange	Grey	White/Black	-	White/Red

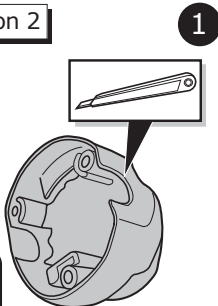
15

Option 1

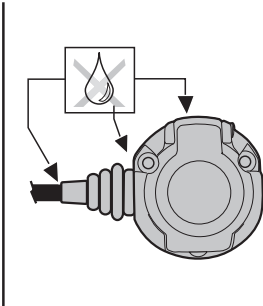
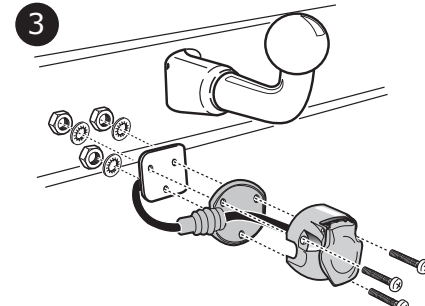
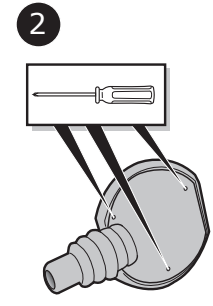


16

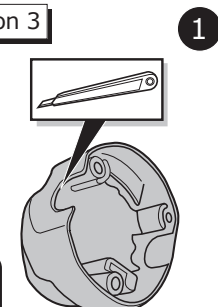
Option 2



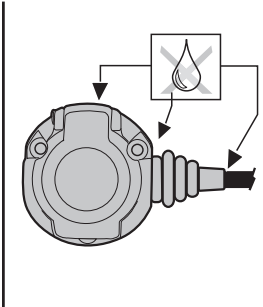
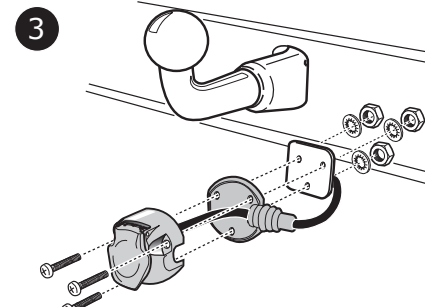
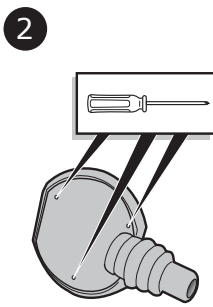
17

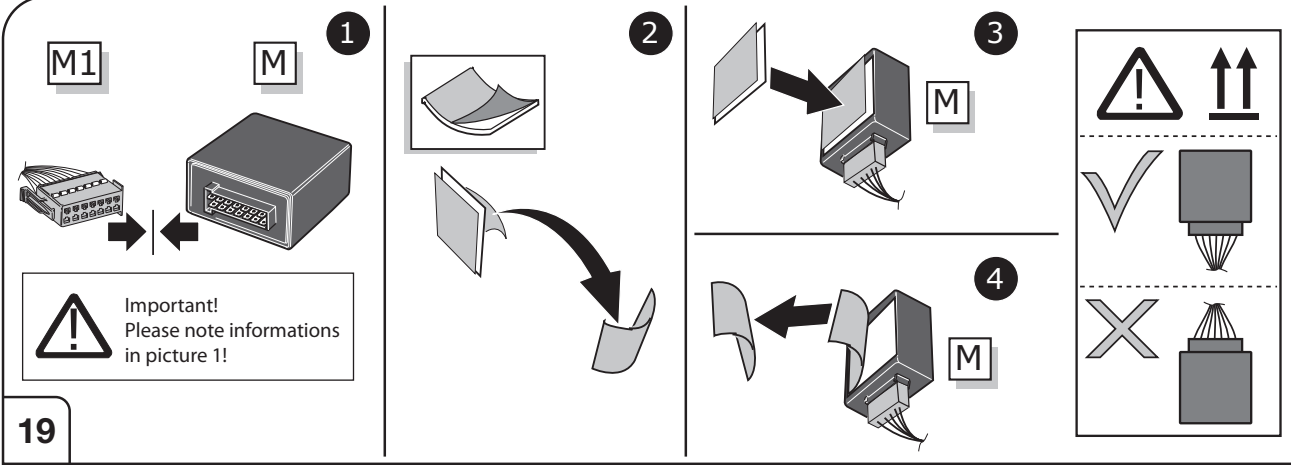


Option 3



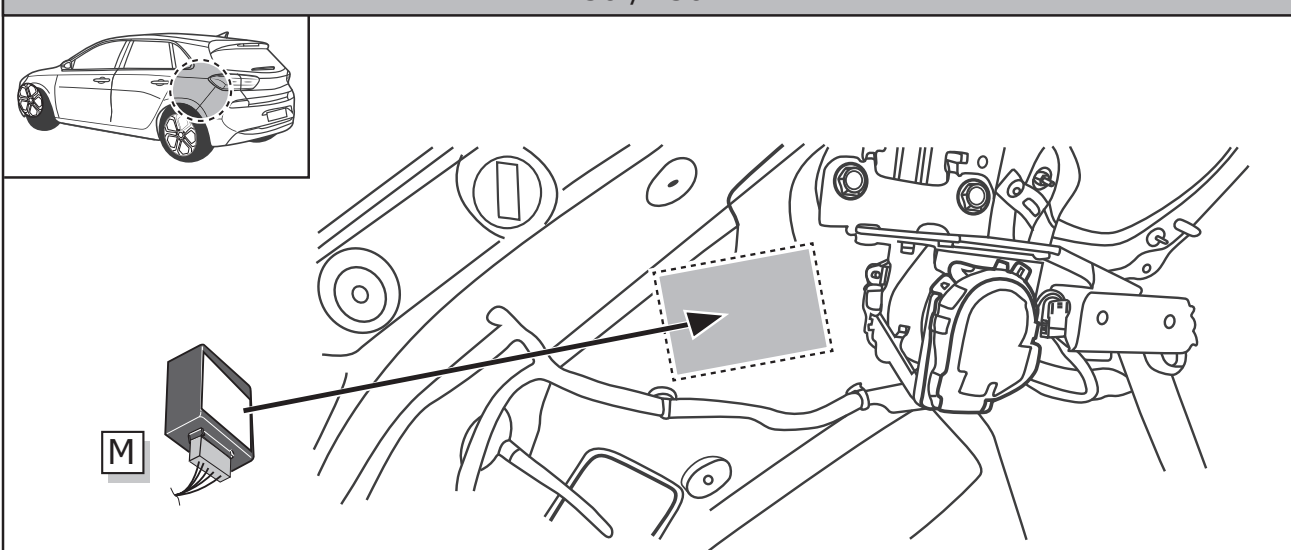
18





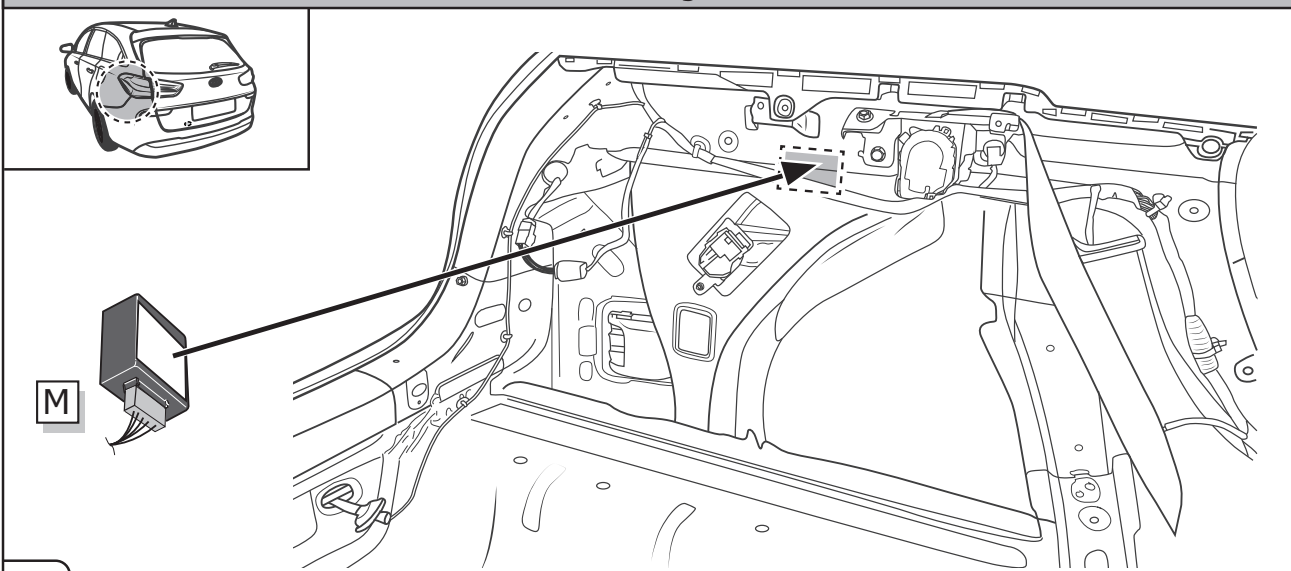
19

I30 / I30 N



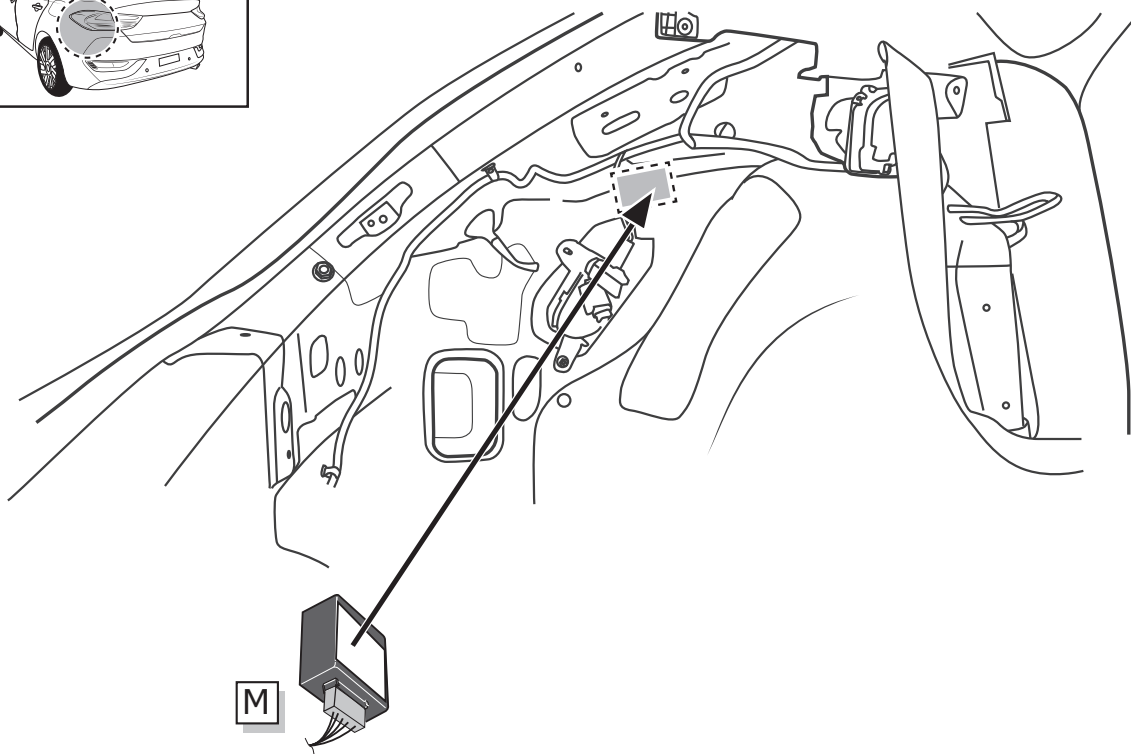
20

I30 Wagon



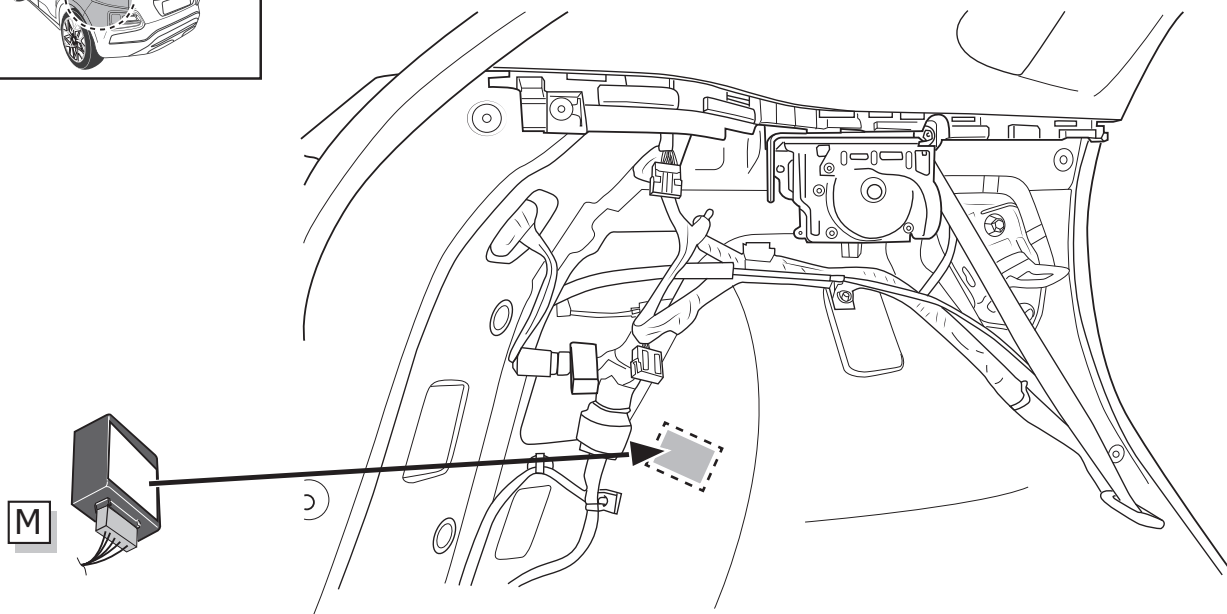
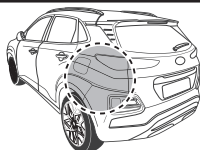
21

I30 Fastback / I30 Fastback N



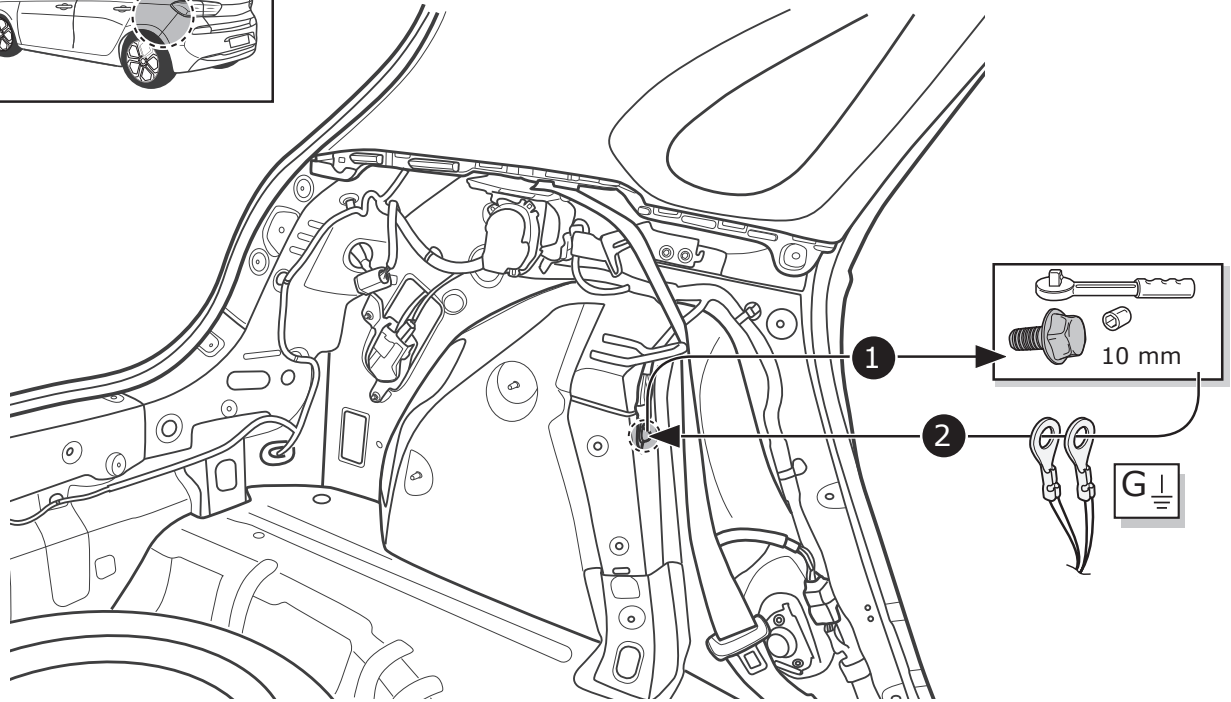
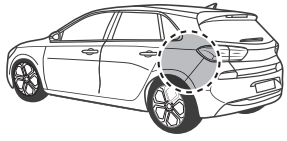
22

Kona HEV



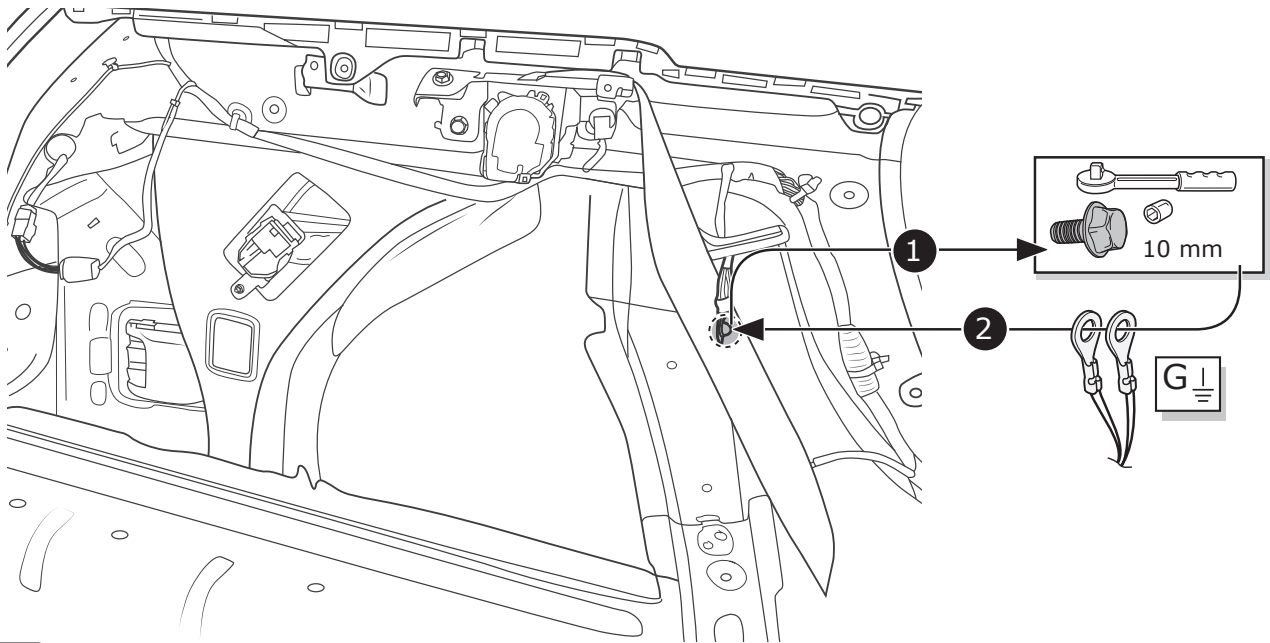
23

I30 / I30 N



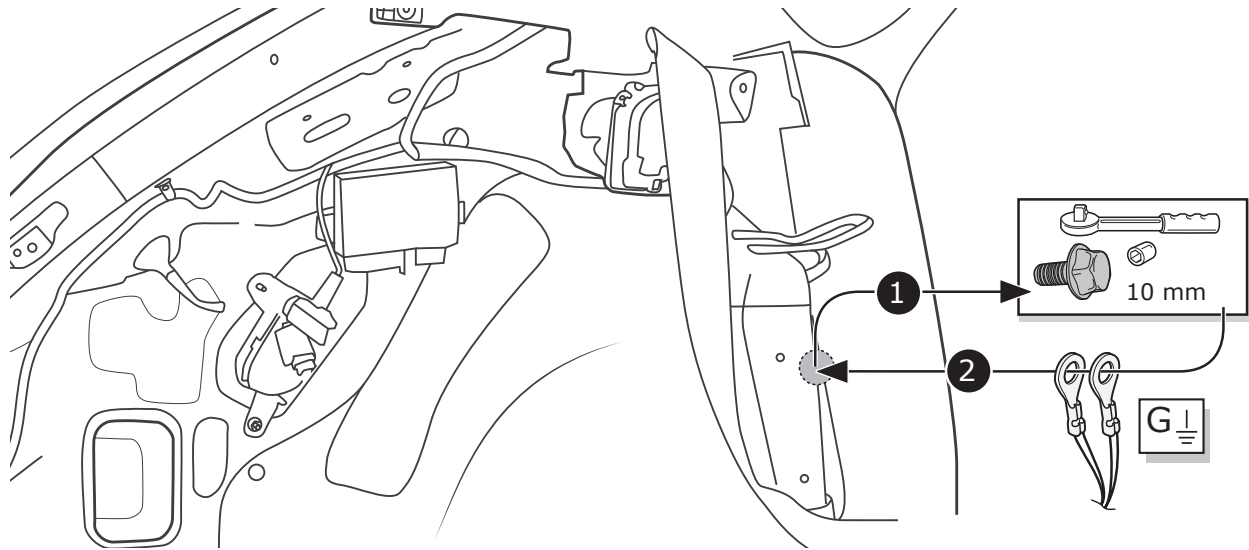
24

I30 Wagon



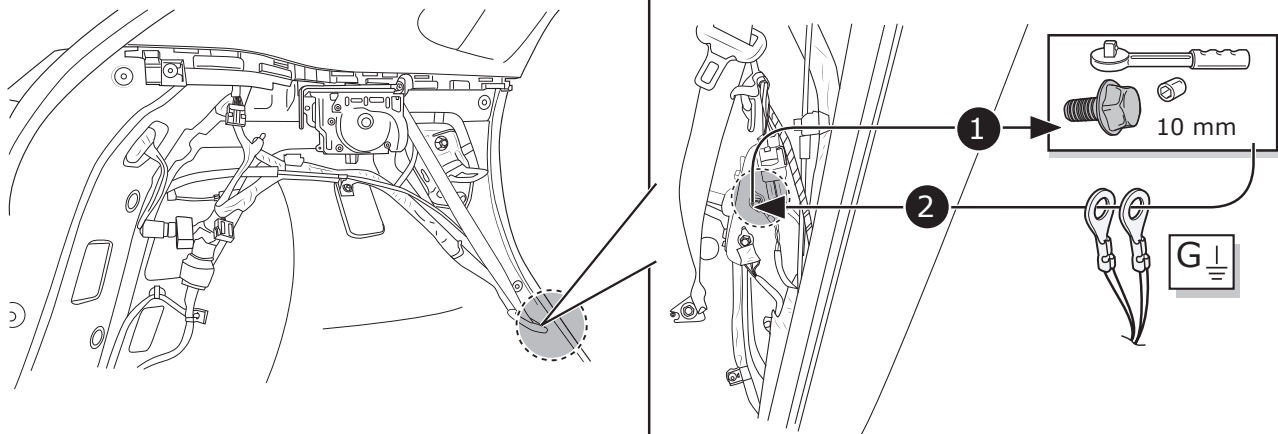
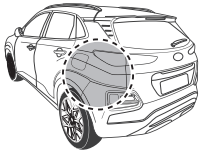
25

I30 Fastback / I30 Fastback N

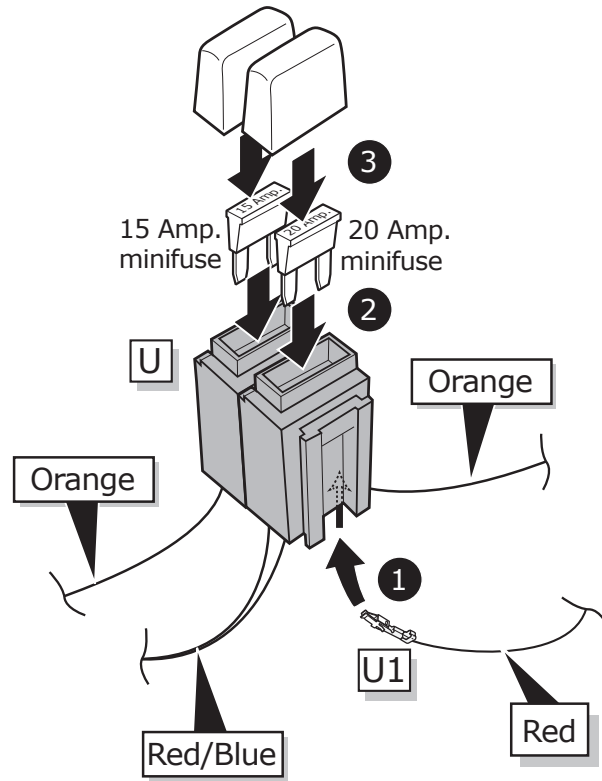


26

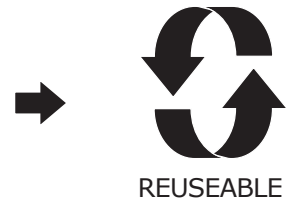
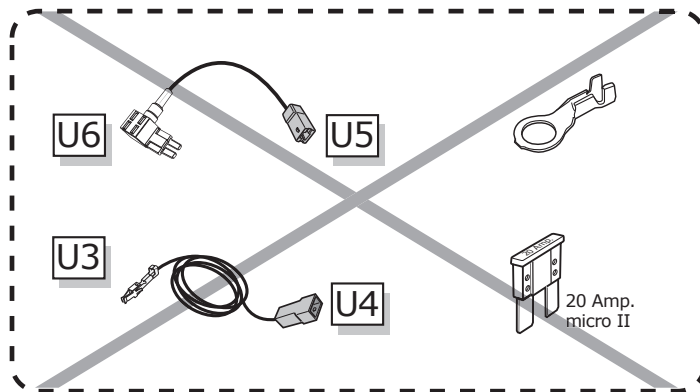
Kona HEV



27

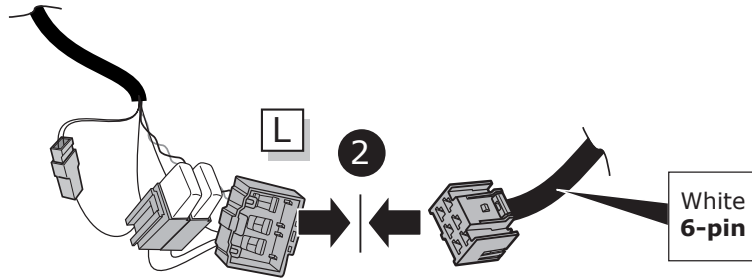
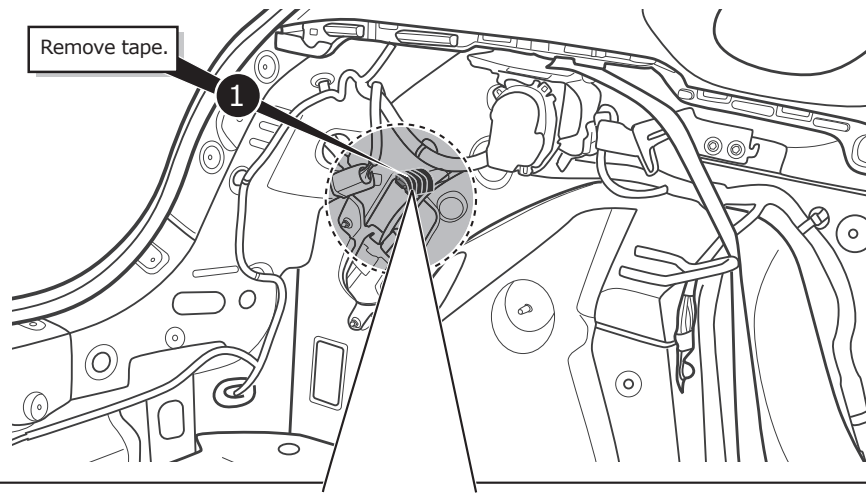
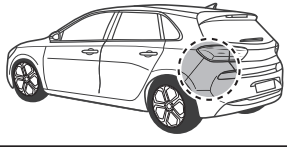


28



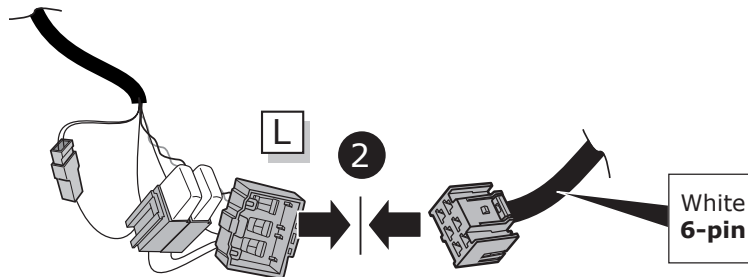
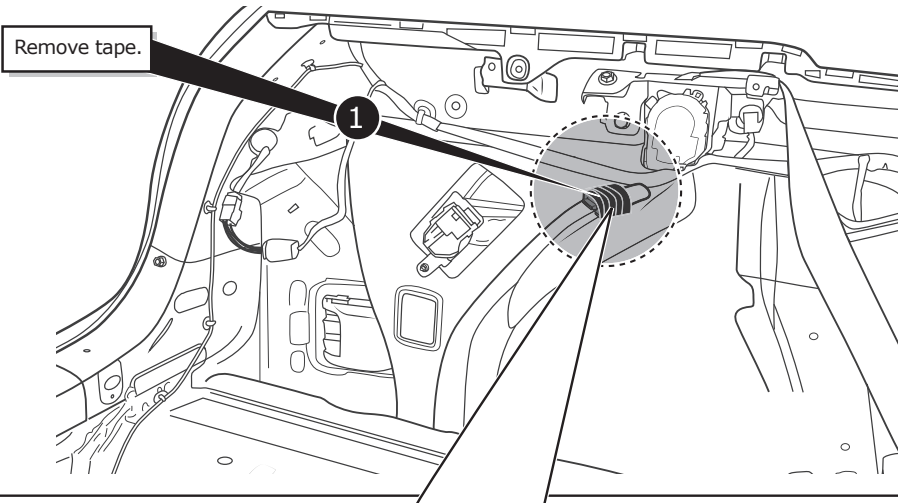
29

I30 / I30 N



30

I30 Wagon



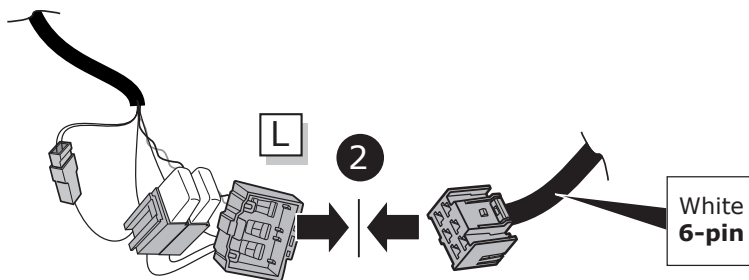
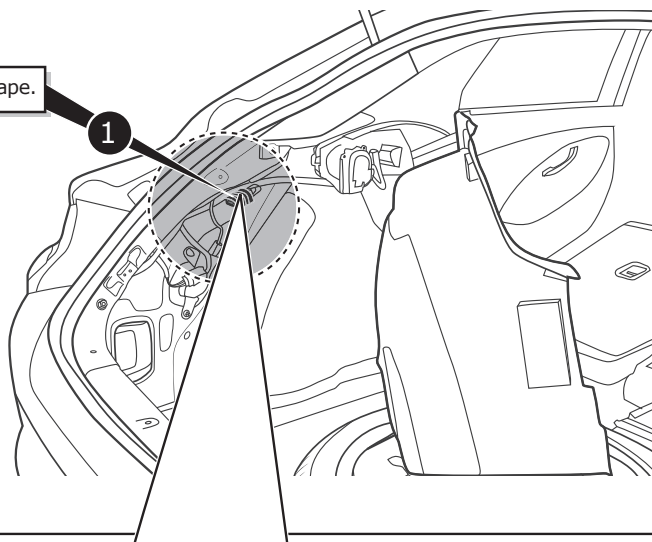
31

I30 Fastback / I30 Fastback N



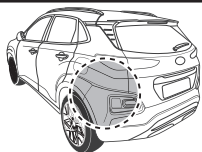
Remove tape.

1



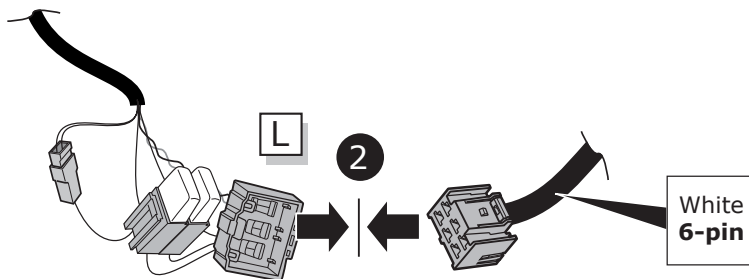
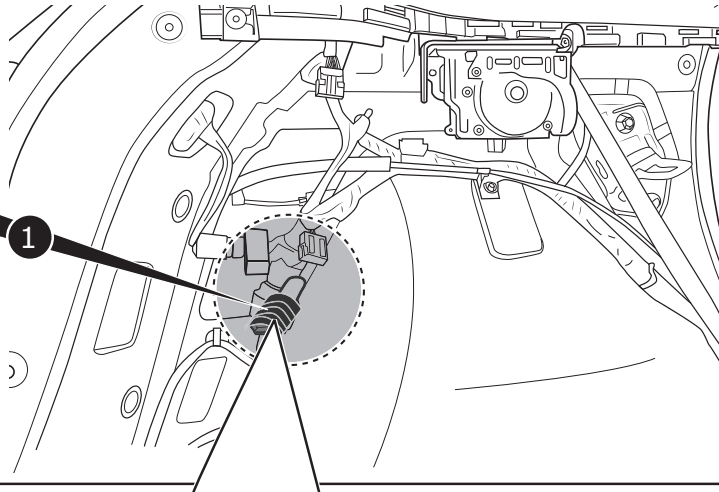
32

Kona HEV

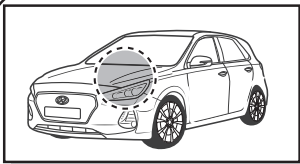


Remove tape.

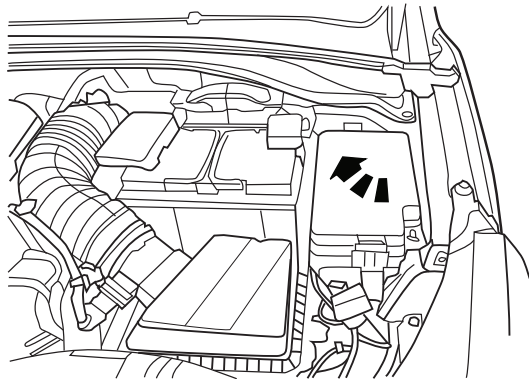
1



33



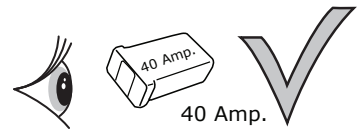
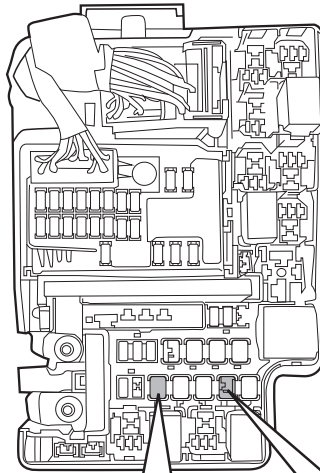
Info



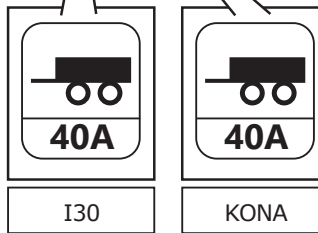
34

1

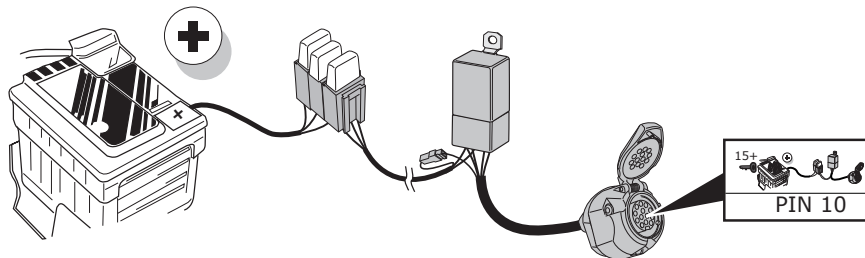
2



FMX 40 Amp.



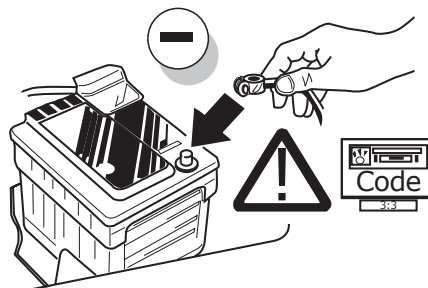
Optional



Extension kit
UV-006-ZZ2



35



36

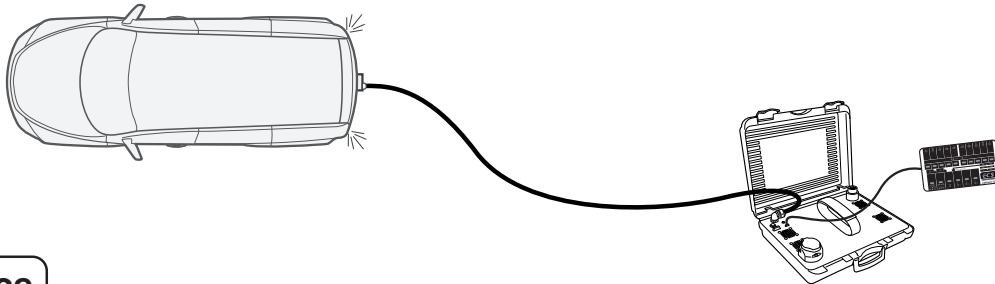
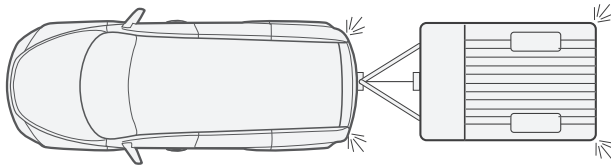
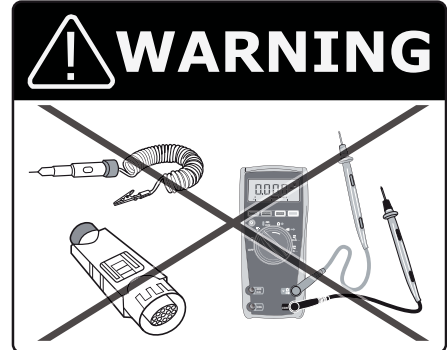
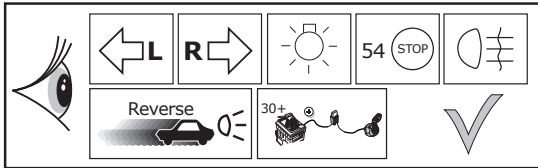
Optional



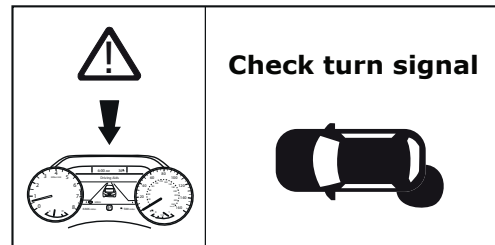
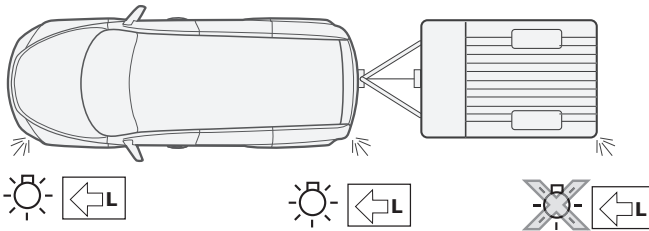
Trailer Simulator for 7- and 13-pin Sockets

37

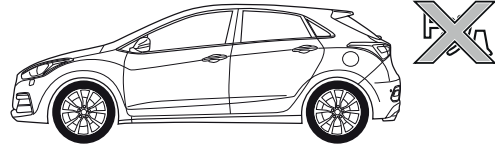
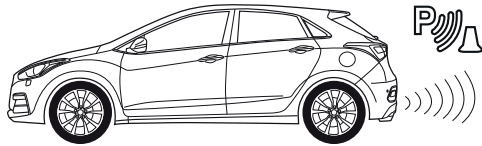
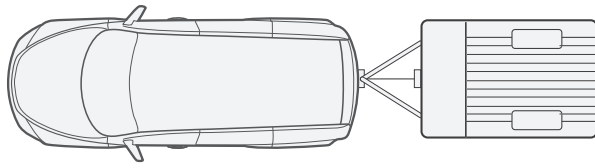
Functional test



38



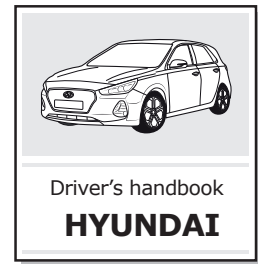
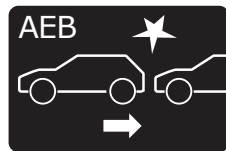
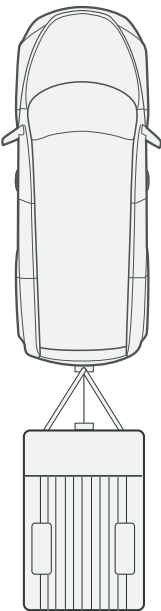
39



40



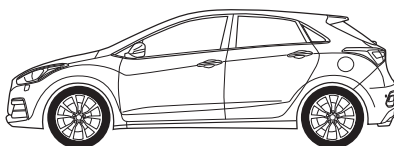
Please note: Limited functionality of assistance systems!



41

Optional

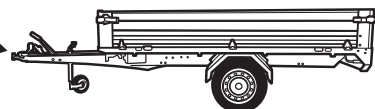
Adapter socket



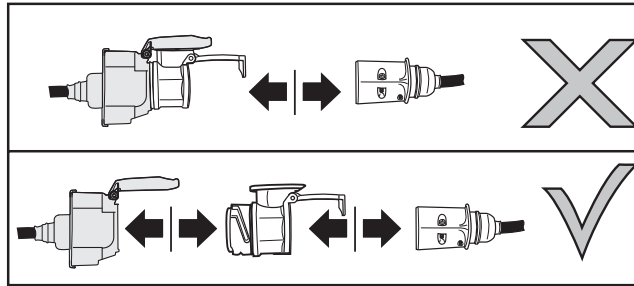
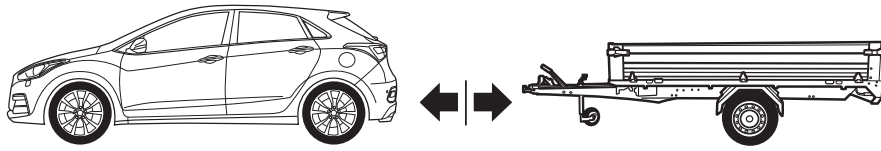
13-pin



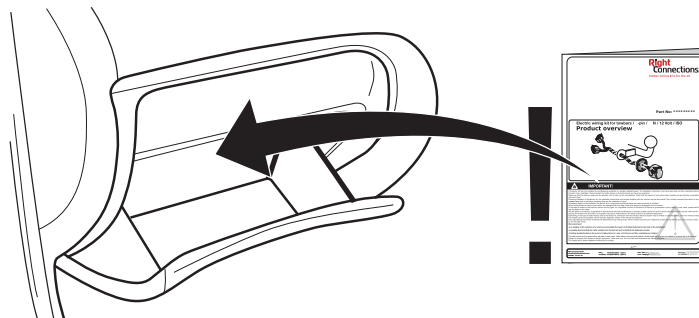
7-pin



42



43



44