



Fitting Instructions

UNIVERSAL TOWBAR AD43AU

For AUDI A6

2004-

For use with 3012 series necks

MATERIALS

A	1	Cross Bar
D	1	Right Hand Side Arm
E	1	Left Hand Side Arm
F	4	M10 x 100 x 1.5mm Bolts, Lock Washers, 2 Nuts and 6 Large Flat Washers (30mm O.D.)
G	4	M12 x 35 x 1.75mm Bolts, Nuts and Lock Washers
	1	Electrical Plate (ZEP1)
	1	Electrical Plate Angle (ZEQ1)
L	1	M10 x 25 x 1.5mm Bolt, Nut, Lock Washer and 2 Flat Washers (25mm O.D.)

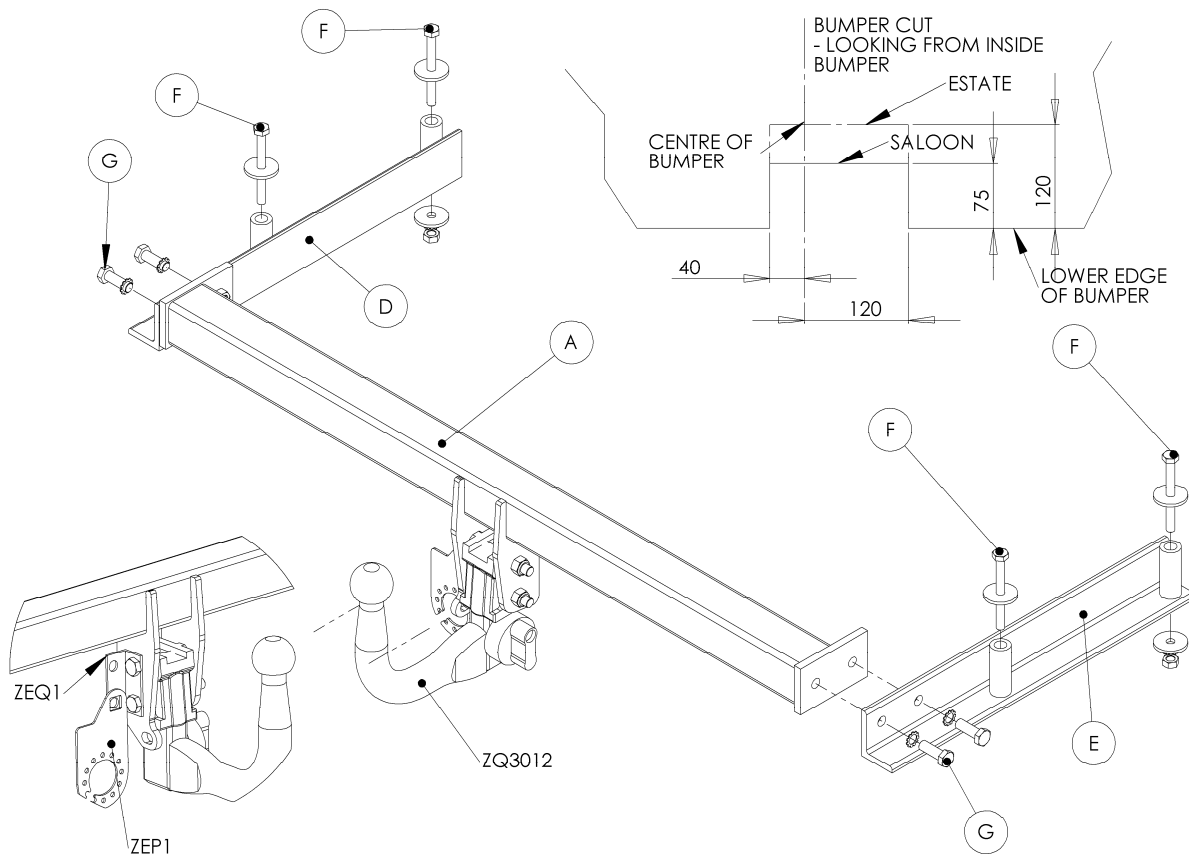
FITTING

1. Remove Bumper (remove boot floor mat and side storage boxes, remove the 2 nuts inside each wheel arch beneath light clusters, remove the rear plastic panel and the plastic grommets to reveal 1 nut each side, remove nut taking care not to drop it inside. Remove the 2 fixings along the lower edge of bumper and the 3 screws around each wheel arch.
2. Cut Bumper as shown below
3. Remove inner bumper beam complete with mounting arms and discard.
4. Insert Side Arms (D) and (E) into chassis rails (remove tape covering forward mounting points) and loosely attach using Bolts (F). Note: To gain access to forward hole (F) it may be necessary to lower exhaust and heat shield.
5. Loosely attach Cross Bar (A) to Side Arms (D) and (E) using Bolts (G). Tighten all Bolts.

Attach Neck and Electrical Plate Angle (J) to Cross Bar (A) as per separate instructions, attach Electrical Plate (K) to Electrical Plate Angle using Bolt (L). Tighten bolts. Re-fit bumper.

Please refer to the vehicle specification for the trailer weight and nose limits, which **must be observed**.

Recommended torque settings: M8 - 27Nm, M10 - 53 Nm, M12 - 95 Nm, M14 - 150 Nm, M16 - 214 Nm



W0001AD43AU-FIT\$010802220000