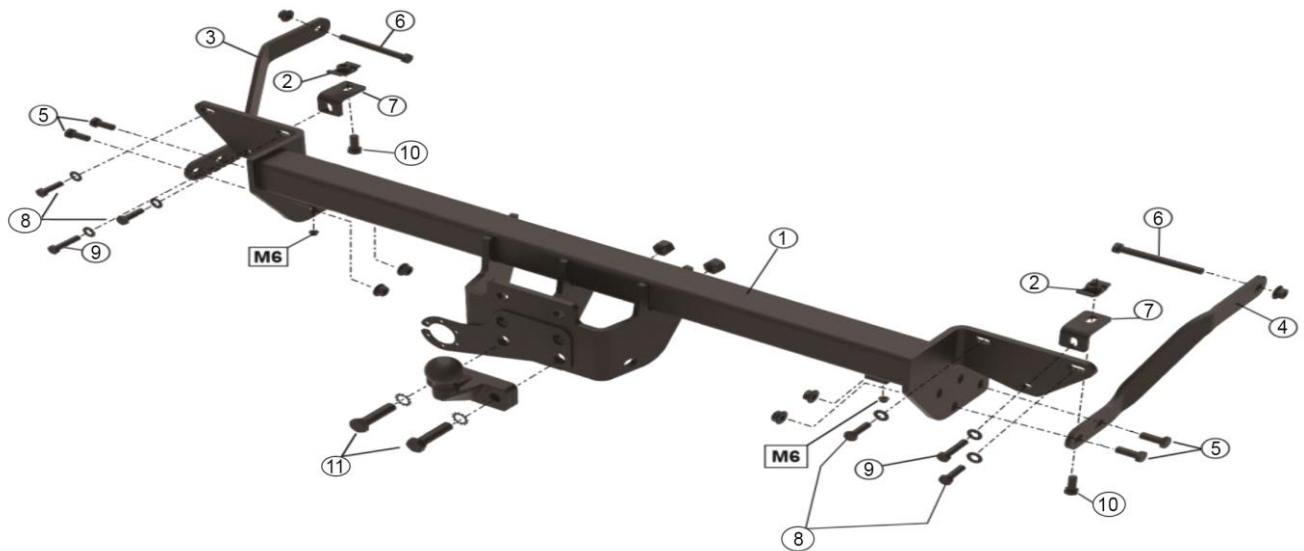


Parts List:

Part No:	Description:	Size:	Torque	Qty:
1	Crossbar			1
2	Back Plate			2
3	Left Side Arm			1
4	Right Side Arm			1
5	Nut + Bolt	M10 x 30	41Nm	4
6	Nut + Bolt + Washer	M12 x 120	71Nm	2
7	90° Bracket			2
8	Nut + Bolt + Washer	M10 x 45	62Nm	4
9	Bolt + Washer	M10 x 1.25 x 35	62Nm	2
10	Bolt	M12 x 35	71Nm	2
11	Nut + Bolt + Lock Washer	M16 x 6	170Nm	2

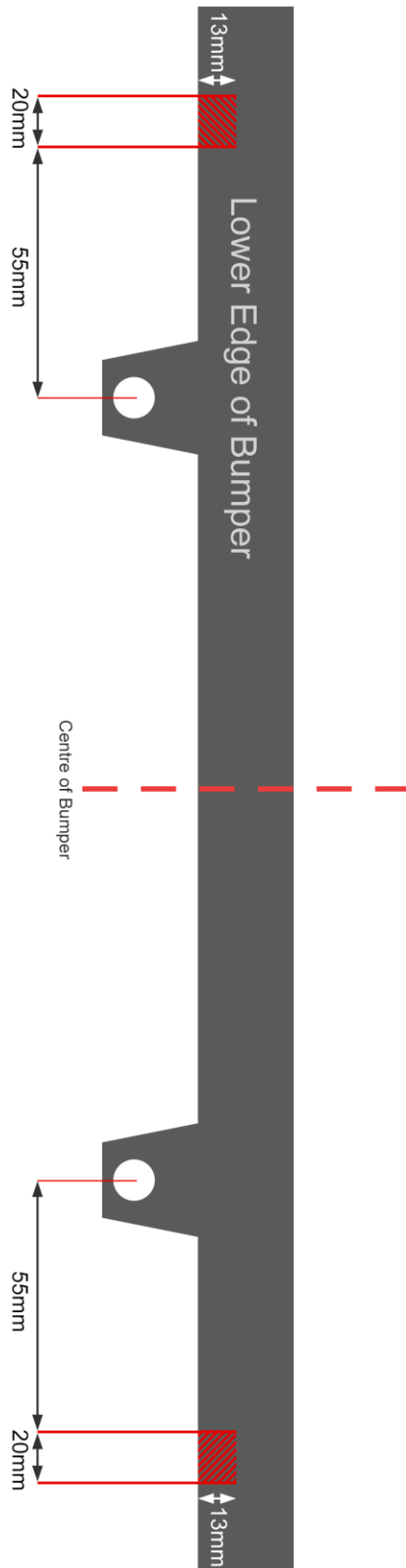
Fitting:



Fitting:

1. Remove the bumper and steel crash beam from the vehicle. The crash beam will no longer be required as the towbar takes its place.
2. Offer up the crossbeam to the rear panel of the vehicle and align with the existing holes. Then, mark and drill the remaining holes to approximately 12mm.
3. Attach, but do not secure, crossbeam (1) to the vehicle using bolts (8) in the upper holes & bolts (9) in the lower hole.
4. Place the back plates (2) in the existing hole in the floor of the vehicle, behind the rear panel.
5. Attach, but do not secure, side arms (3) & (4) to the cross beam using bolts (5)
6. **L4 VEHICLES ONLY - Drill 13mm hole in chassis rail to allow mounting of bolts (6)**
7. Fit bolts (6)
8. Fit brackets (7) to crossbeam (1) using bolts (9) & then use bolts (10) to attach to back plate (2).
9. Mount towball using bolts (11).
10. Tighten bolts to the recommended torque settings (See table above).
11. Fit Electrics
12. Remove the required sections of the rear bumper. (See diagram on next page).
13. Refit bumper to vehicle.

Note: This towbar must be used with a Class A50-1 or A50-X towball, which dimensionally conforms to A50-1 with a 'D' & 'S' value greater than or equal to that of the towbar.



****Manufacturers towing limits must be observed for towing capacity****